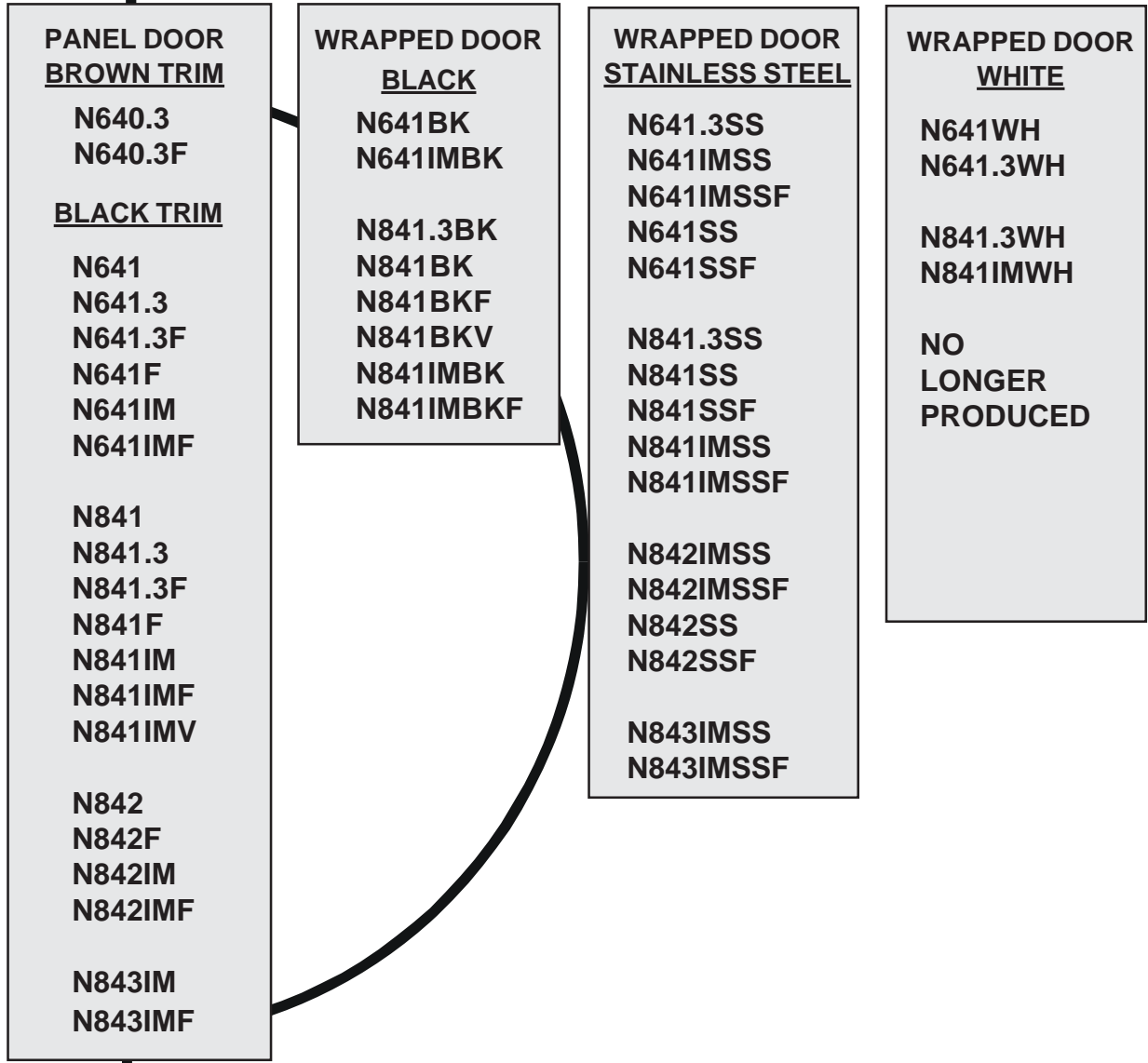




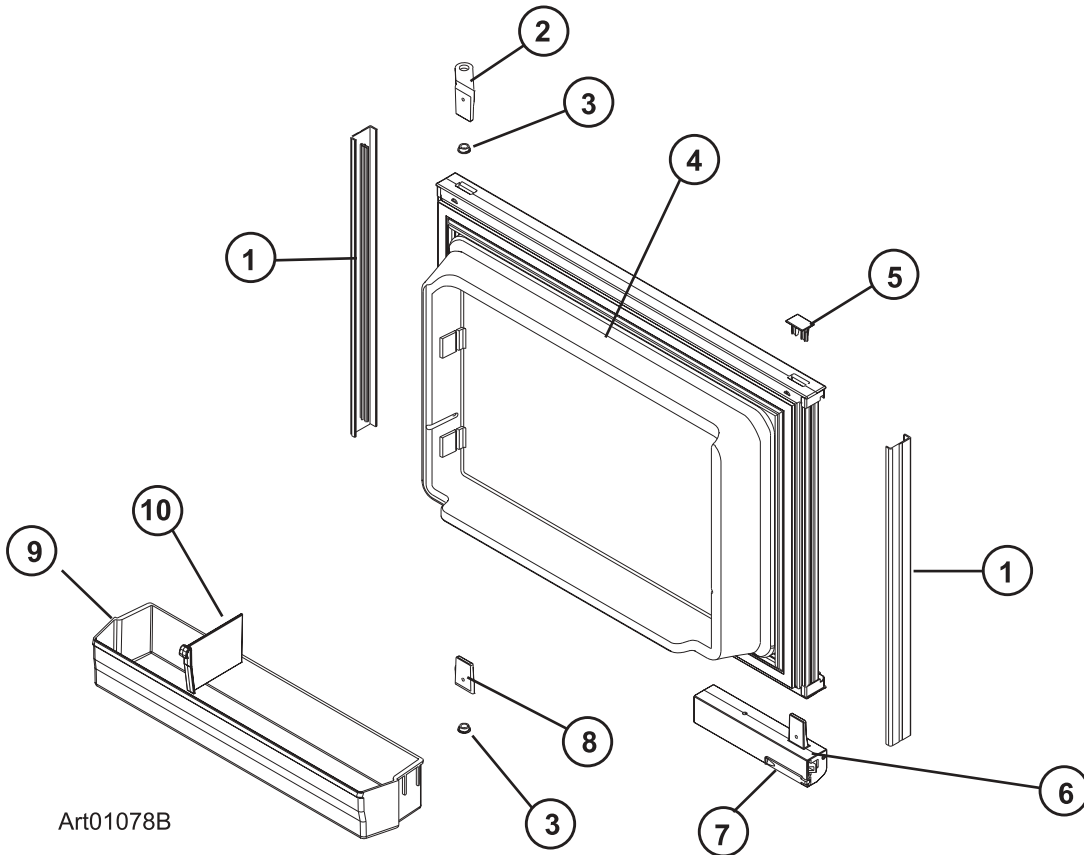
PARTS LIST

N64/N84 SERIES



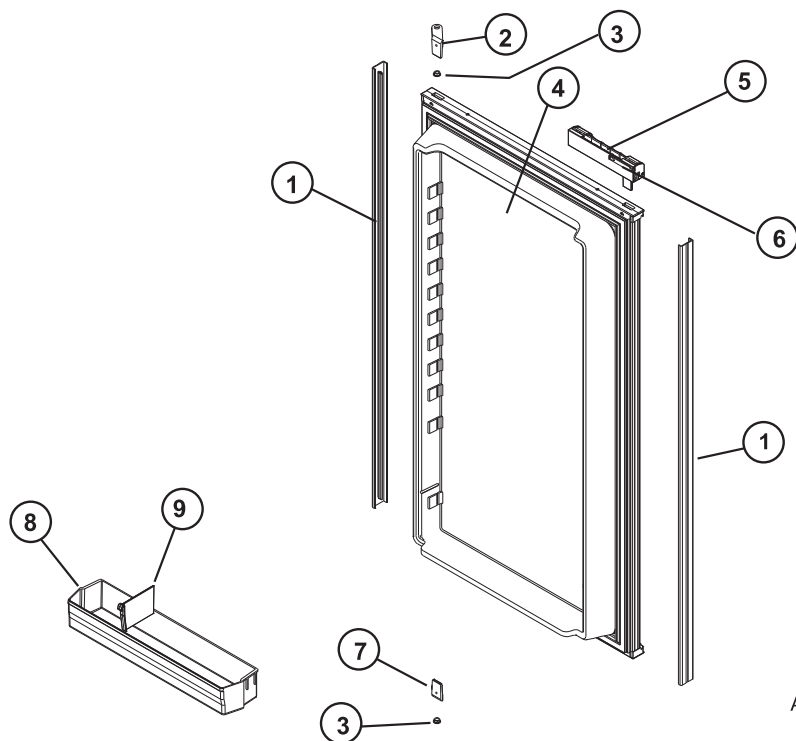
PART NO. 623423
NORCOLD 12/10/2009

UPPER DOOR (FREEZER) - PANEL TYPE - MODEL SERIES N64/N84



NO.	PART #	DESCRIPTION	(SERIES)	N640	N841	N842	N843
				N641	N841	N842	N843
1	623943	PANEL RETAINER-UPPER/BLACK/SDL (2 PER DOOR)	N641	N841	N842	N843	
	624797	PANEL RETAINER-UPPER/BROWN/SDL (2 PER DOOR)	N640				
	619558	PANEL RETAINER-UPPER/BLACK/WDL (2 PER DOOR)	N641	N841	N842	N843	
	622906	PANEL RETAINER-UPPER/BROWN/WDL (2 PER DOOR)	N640				
2	618511	HINGE-DOOR SIDE/TOP RH/BTM LH/BLACK/WDL	N641	N841	N842	N843	
	622924	HINGE-DOOR SIDE/TOP RH/BTM LH/BROWN/WDL	N640				
3	619671	HINGE BUSHING-DOOR/WARM GRAY/WDL (2 PER DOOR)	ALL	ALL	ALL	ALL	
4	623945	DOOR LINER ASSY-UPPER/PANEL/BLACK FRAME/SDL	N641	N841	N842	N843	
	624813	DOOR LINER ASSY-UPPER/PANEL/BROWN FRAME/SDL	N640				
	619627	DOOR LINER ASSY-UPPER/PANEL/BLACK FRAME/WDL	N641	N841	N842	N843	
	622897	DOOR LINER ASSY-UPPER/PANEL/BROWN FRAME/WDL	N640				
5	618160	CAP-HINGE PLUG/BLACK	N641	N841	N842	N843	
	622989	CAP-HINGE PLUG/BROWN	N640				
6	621469	DOOR HANDLE ASSY-UPPER DOOR/RH SWING/PLASTIC/BLACK	N641	N841			N843
	622916	DOOR HANDLE ASSY-UPPER DOOR/RH SWING/PLASTIC/BROWN	N640				
	621105	DOOR HANDLE ASSY-UPPER DOOR/RH SWING/BLACK			N842		
	619866	DOOR HANDLE ASSY-UPPER DOOR/RH SWING/METAL/BLACK	N641	N841			N843
	622910	DOOR HANDLE ASSY-UPPER DOOR/RH SWING/METAL/BROWN	N640				
7	619648	LATCH-STORAGE/DOOR/METAL HANDLE/WARM GRAY	ALL	ALL	ALL	ALL	
	622313	LATCH-STORAGE/DOOR/PLASTIC HANDLE/WARM GRAY	N641	N841			N843
8	618510	HINGE-DOOR SIDE/TOP LH/BTM RH/BLACK/WDL	N641	N841	N842	N843	
	622923	HINGE-DOOR SIDE/TOP LH/BTM RH/BROWN/WDL	N640				
9	619006	BIN-DOOR SHELF/SMALL/CLEAR/WDL (1 PER DOOR)	ALL	ALL	ALL	ALL	
	624864	BIN-DOOR SHELF/CLEAR/SDL (1 PER DOOR)	ALL	ALL	ALL	ALL	
10	619008	DIVIDER-DOOR BIN/CLEAR/WDL/SDL (1 PER DOOR SHELF BIN)	ALL	ALL	ALL	ALL	
NS	619569	BOLT-CAP SHOULDER/TORX HEAD (NOT SHOWN)	ALL	ALL	ALL	ALL	

LOWER DOOR (FRESH FOOD) - PANEL TYPE - MODEL SERIES N64/N84



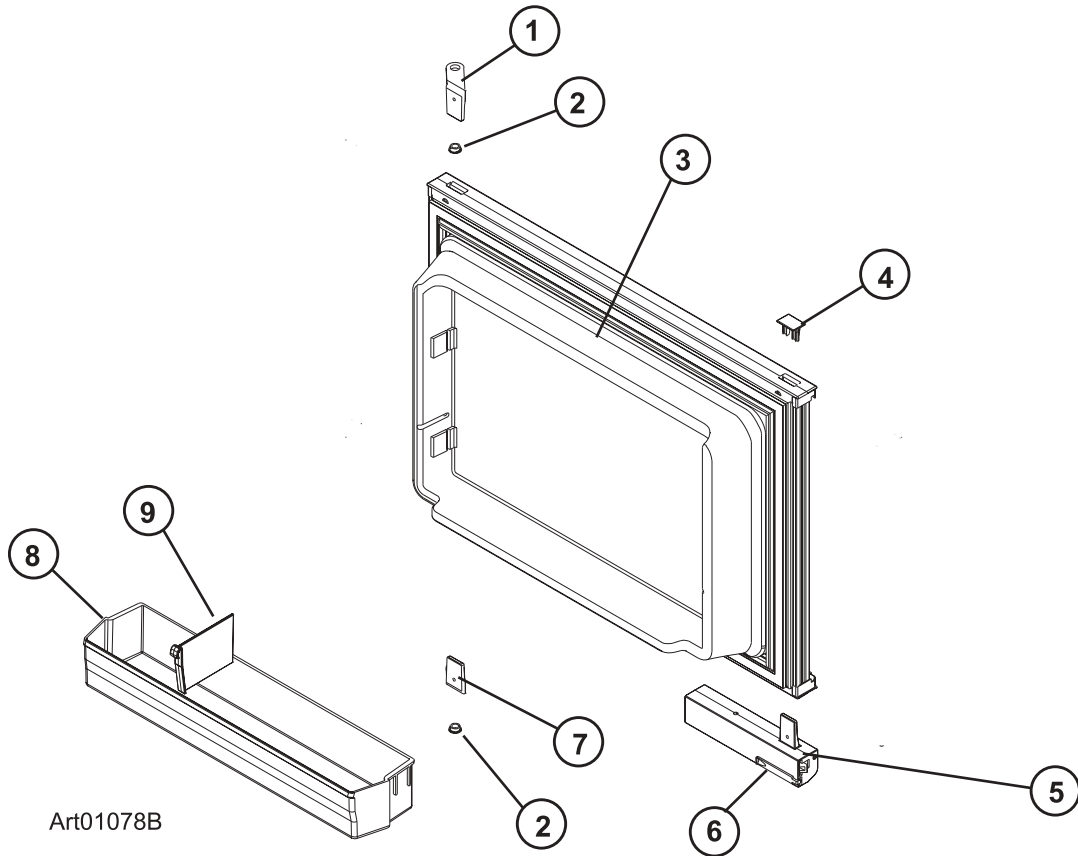
Art01079B

NO.	PART #	DESCRIPTION	(SERIES)	N640 N641	N841	N842	N843
1	623948	PANEL RETAINER-LOWER DOOR/6'/BLACK/SDL (2 PER DOOR)		N641			
	624799	PANEL RETAINER-LOWER DOOR/6'/BROWN/SDL (2 PER DOOR)		N640			
	623760	PANEL RETAINER-LOWER DOOR/8'/BLACK/SDL (2 PER DOOR)			N841	N842	N843
	619559	PANEL RETAINER-LOWER DOOR/6'/BLACK/WDL (2 PER DOOR)		N641			
	622907	PANEL RETAINER-LOWER DOOR/6'/BROWN/WDL (2 PER DOOR)		N640			
	619560	PANEL RETAINER-LOWER DOOR/8'/BLACK/WDL (2 PER DOOR)			N841	N842	N843
2	618511	HINGE-DOOR SIDE/TOP RH/BTM LH/BLACK/WDL		N641	N841	N842	N843
	622924	HINGE-DOOR SIDE/TOP RH/BTM LH/BROWN/WDL		N640			
3	619671	HINGE BUSHING-DOOR/WARM GRAY (2 PER DOOR)		ALL	ALL	ALL	ALL
4	623955	DOOR LINER ASSY-LOWER/6'/PANEL/BLACK FRAME/SDL		N641			
	624812	DOOR LINER ASSY-LOWER/6'/PANEL/BROWN FRAME/SDL		N640			
	623942	DOOR LINER ASSY-LOWER/8'/PANEL/BLACK FRAME/SDL			N841	N842	N843
	619629	DOOR LINER ASSY-LOWER/6'/PANEL/BLACK FRAME/WDL		N641			
	622898	DOOR LINER ASSY-LOWER/6'/PANEL/BROWN FRAME/WDL		N640			
	619631	DOOR LINER ASSY-LOWER/8'/PANEL/BLACK FRAME/WDL			N841	N842	N843
5	621465	DOOR HANDLE ASSY-LOWER DOOR/RH SWING/PLASTIC/BLACK		N641	N841		N843
	622915	DOOR HANDLE ASSY-LOWER DOOR/RH SWING/PLASTIC/BROWN		N640			
	621104	DOOR HANDLE ASSY-LOWER DOOR/RH SWING (N822/N842)				N842	
	619865	DOOR HANDLE ASSY-LOWER DOOR/RH SWING/METAL/BLACK		N641	N841		N843
	622909	DOOR HANDLE ASSY-LOWER DOOR/RH SWING/METAL/BROWN		N640			
6	622313	LATCH-STORAGE/DOOR/PLASTIC HANDLE/WARM GRAY		ALL	ALL		ALL
	619648	LATCH-STORAGE/DOOR/METAL HANDLE/WARM GRAY		ALL	ALL	ALL	ALL
7	618510	HINGE-DOOR SIDE/TOP LH/BTM RH/BLACK/WDL		N641	N841	N842	N843
	622923	HINGE-DOOR SIDE/TOP LH/BTM RH/BROWN/WDL		N640			
8	624864	BIN-DOOR SHELF/CLEAR/SDL		2	3	3	3
NS	624866	WIRE-BIN/SDL (NOT SHOWN)		ALL	ALL	ALL	ALL
	619006	BIN-DOOR SHELF/SMALL/CLEAR/WDL		2	3	3	3
	619005	BIN-DOOR SHELF/LARGE/CLEAR/WDL		1	1	1	1
9	619008	DIVIDER-DOOR BIN/CLEAR (1 PER DOOR SHELF BIN)		ALL	ALL	ALL	ALL
NS	619569	BOLT-CAP SHOULDER/TORX HEAD (NOT SHOWN)		ALL	ALL	ALL	ALL

WDL = WAFFLE DOOR LINER SURFACE

SDL = SMOOTH DOOR LINER SURFACE

UPPER DOOR (FREEZER) - WRAP TYPE - MODEL SERIES N64/N84



Art01078B

NO.	PART #	DESCRIPTION	(SERIES)	N641	N841	N842	N843
1	618511	HINGE-DOOR SIDE/TOP RH/BTM LH/BLACK/SDL/WDL		ALL	ALL	ALL	ALL
2	619671	HINGE BUSHING-DOOR/WARM GRAY (2 PER DOOR)		ALL	ALL	ALL	ALL
3	624142	DOOR LINER ASSY-UPPER/BLACK/VINYL COAT/WDL (SERIAL # 1315387 & BELOW)			BK		
	625874	DOOR LINER ASSY-UPPER/BLACK/POWDER COAT/WDL (SERIAL# 1315388 & ABOVE)		BK	BK	BK	BK
	627121	DOOR LINER ASSY-UPPER/WRAP/BLACK/SDL		BK	BK		
	623272	DOOR LINER ASSY-UPPER/AT BLACK/SDL (EFFECTIVE 07/10/08)		BK	BK		
	627102	DOOR LINER ASSY-UPPER/WRAP/AL-CLEAN STAINLESS/SDL		SS	SS	SS	SS
	630091	DOOR LINER ASSY-UPPER/WRAP/VALSPAR STAINLESS/SDL		SS	SS	SS	SS
	632731	DOOR LINER ASSY-UPPER/WRAP/AT STAINLESS/SDL (EFFECTIVE 06/25/08)		SS	SS	SS	SS
	624143	DOOR LINER ASSY-UPPER/WRAP/WHITE/WDL		WH	WH		
	627120	DOOR LINER ASSY-UPPER/WRAP/WHITE/SDL		WH	WH		
	624143	DOOR LINER ASSY-FOAM/UPPER/WHITE		WH	WH	WH	WH
4	618160	CAP-HINGE PLUG/BLACK		ALL	ALL	ALL	ALL
5	621469	DOOR HANDLE ASSY-UPPER DOOR/RH SWING/PLASTIC/BLACK		ALL	ALL		ALL
	621105	DOOR HANDLE ASSY-UPPER DOOR/RH SWING/BLACK				ALL	
	619866	DOOR HANDLE ASSY-UPPER DOOR/RH SWING/METAL/BLACK		ALL	ALL		ALL
6	622313	LATCH-STORAGE/DOOR/PLASTIC HANDLE/WARM GRAY		ALL	ALL		ALL
	619648	LATCH-STORAGE/DOOR/METAL HANDLE/WARM GRAY		ALL	ALL	ALL	ALL
7	618510	HINGE-DOOR SIDE/TOP LH/BTM RH/BLACK/SDL/WDL		ALL	ALL	ALL	ALL
8	624864	BIN-DOOR SHELF/CLEAR/SDL (1 PER DOOR)		ALL	ALL	ALL	ALL
	619006	BIN-DOOR SHELF/SMALL/CLEAR/WDL (1 PER DOOR)		ALL	ALL	ALL	ALL
9	619008	DIVIDER-DOOR BIN/CLEAR (1 PER DOOR SHELF BIN)		ALL	ALL	ALL	ALL
NS	619569	BOLT-CAP SHOULDER/TORX HEAD (NOT SHOWN)		ALL	ALL	ALL	ALL

BK = BLACK WRAPPED DOORS

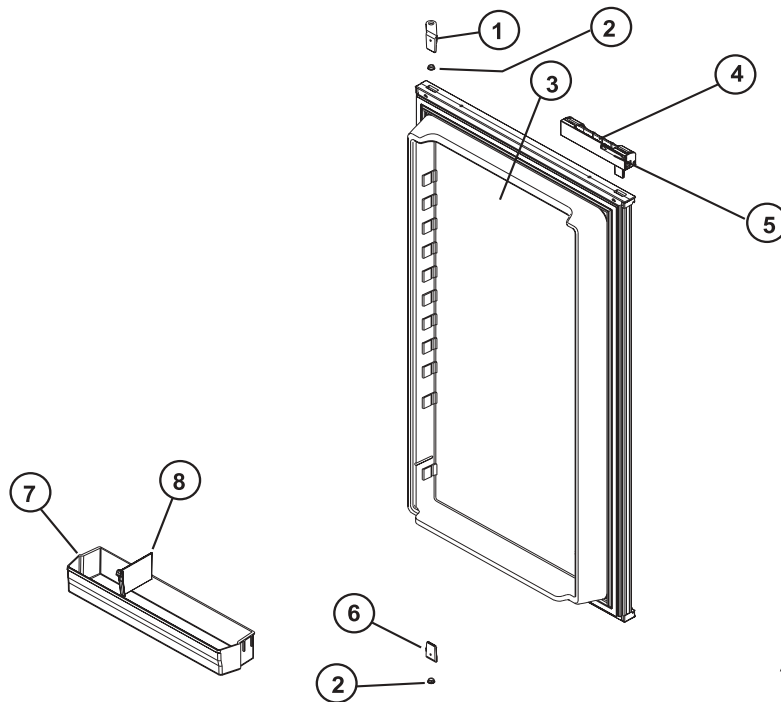
SS = STAINLESS STEEL WRAPPED DOORS

WH = WHITE WRAPPED DOORS

WDL = WAFFLE DOOR LINER SURFACE

SDL = SMOOTH DOOR LINER SURFACE

LOWER DOOR (FRESH FOOD) - WRAP TYPE - MODEL SERIES N64/N84



Art01079B

NO.	PART #	DESCRIPTION	(SERIES)	N641	N841	N842	N843
1	618511	HINGE-DOOR SIDE/TOP RH/BTM LH/BLACK		ALL	ALL	ALL	ALL
2	619671	HINGE BUSHING-DOOR/WARM GRAY (2 PER DOOR)		ALL	ALL	ALL	ALL
3	625876	DOOR LINER ASSY-LOWER/6'/WRAP/BLACK/POWDER COAT/WDL		BK			
	627125	DOOR LINER ASSY-LOWER/6'/WRAP/BLACK/SDL		BK			
	632734	DOOR LINER ASSY-LOWER/6'/WRAP/AT BLACK/SDL (EFFECTIVE 07/10/08)		BK			
	624144	DOOR LINER ASSY-LOWER/8'/WRAP/BLACK/VINYL COAT/WDL (SERIAL # 1315387 & BELOW)			BK		
	625875	DOOR LINER ASSY-LOWER/8'/WRAP/BLACK/WDL/POWDER COAT (SERIAL# 1315388 & ABOVE)			BK		
	627129	DOOR LINER ASSY-LOWER/8'/WRAP/BLACK/SDL			BK		
	632738	DOOR LINER ASSY-LOWER/8'/WRAP/AT BLACK/SDL (EFFECTIVE 07/10/08)			BK		
	624147	DOOR LINER ASSY-LOWER/6'/WRAP/STAINLESS/WDL		SS			
	627103	DOOR LINER ASSY-LOWER/6'/WRAP/AL-CLEAN STAINLESS/SDL		SS			
	630092	DOOR LINER ASSY-LOWER/6'/WRAP/VALSPAR STAINLESS/SDL		SS			
	632733	DOOR LINER ASSY-LOWER/6'/WRAP/AT STAINLESS/SDL (EFFECTIVE 06/25/08)		SS			
	623273	DOOR LINER ASSY-LOWER/8'/WRAP/STAINLESS/WDL			SS	SS	SS
	627104	DOOR LINER ASSY-LOWER/8'/WRAP/AL-CLEAN STAINLESS/SDL			SS	SS	SS
	630093	DOOR LINER ASSY-LOWER/8'/WRAP/VALSPAR STAINLESS/SDL			SS	SS	SS
	633737	DOOR LINER ASSY-LOWER/8'/WRAP/AT STAINLESS/SDL (EFFECTIVE 06/25/08)			SS	SS	SS
	624149	DOOR LINER ASSY-LOWER/6'/WRAP/WHITE/WDL		WH			
	627124	DOOR LINER ASSY-LOWER/6'/WRAP/WHITE/SDL		WH			
	624145	DOOR LINER ASSY-LOWER/8'/WRAP/WHITE/WDL			WH		
627128	DOOR LINER ASSY-LOWER/8'/WRAP/WHITE/SDL			WH			
4	621465	DOOR HANDLE ASSY-LOWER DOOR/RH SWING/PLASTIC/BLACK		ALL	ALL		ALL
	621104	DOOR HANDLE ASSY-LOWER DOOR/RH SWING (N822/N842)				ALL	ALL
	619865	DOOR HANDLE ASSY-LOWER DOOR/RH SWING/METAL/BLACK		ALL	ALL	ALL	ALL
5	619648	LATCH-STORAGE/DOOR/METAL HANDLE/WARM GRAY		ALL	ALL	ALL	ALL
6	618510	HINGE-DOOR SIDE/TOP LH/BTM RH/BLACK		ALL	ALL	ALL	ALL
7	624864	BIN-DOOR SHELF/CLEAR/SDL		3	4	4	4
NS	632458	WIRE-BIN/SDL (NOT SHOWN)		1	1	1	1
	619006	BIN-DOOR SHELF/SMALL/CLEAR/WDL (2 PER N64 DOOR)(3 PER N84 DOOR)		2	3	3	3
	619005	BIN-DOOR SHELF/LARGE/CLEAR/WDL (1 PER DOOR)		1	1	1	1
8	619008	DIVIDER-DOOR BIN/CLEAR (1 PER DOOR SHELF BIN)		3	4	4	4
NS	619569	BOLT-CAP SHOULDER/TORX HEAD (NOT SHOWN)		ALL	ALL	ALL	ALL

BK = BLACK WRAPPED DOORS

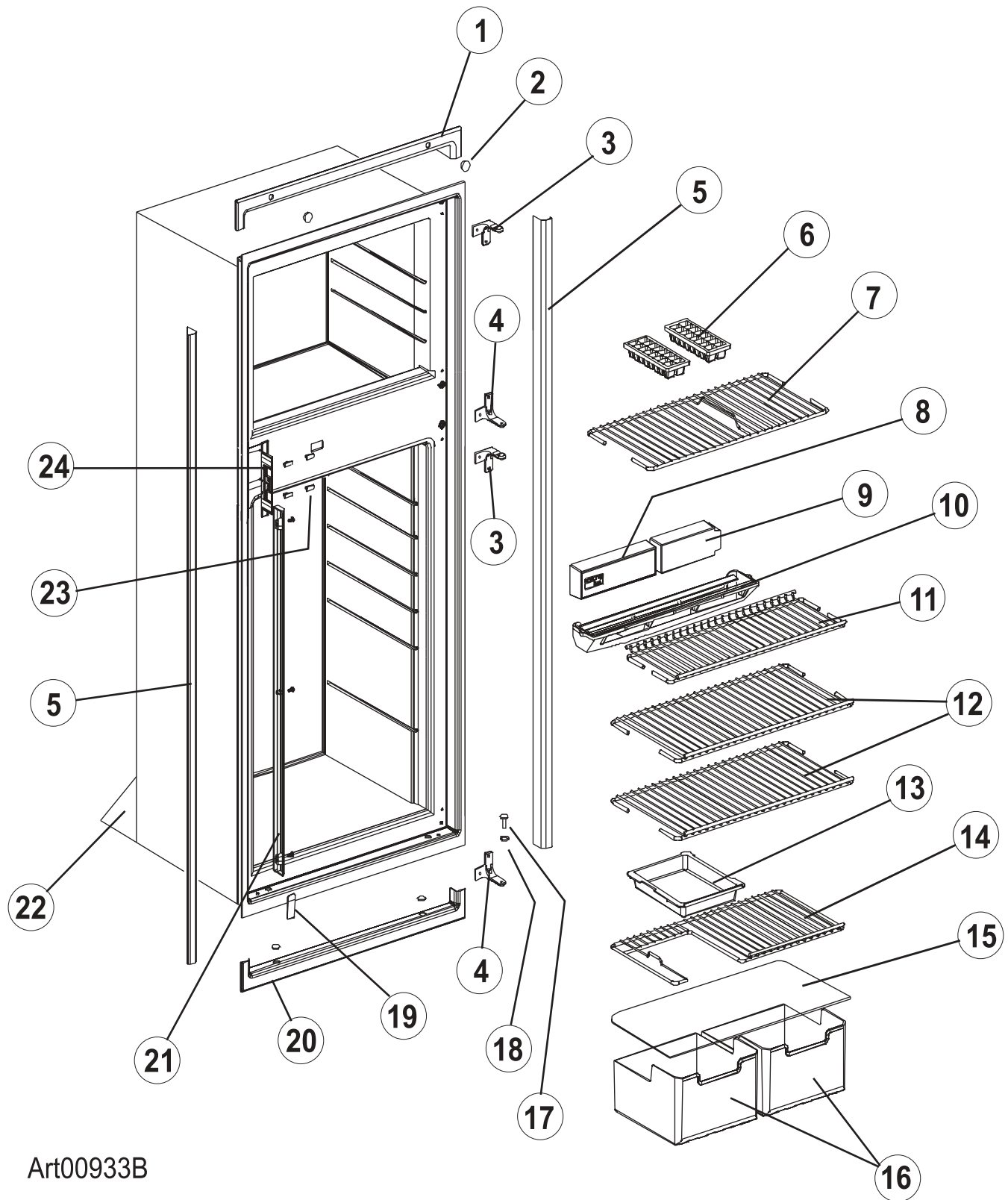
SS = STAINLESS STEEL WRAPPED DOORS

WH = WHITE WRAPPED DOORS

WDL = WAFFLE DOOR LINER SURFACE

SDL = SMOOTH DOOR LINER SURFACE

CABINET AREA (FRONT VIEW) - MODEL SERIES N64/N84



Art00933B

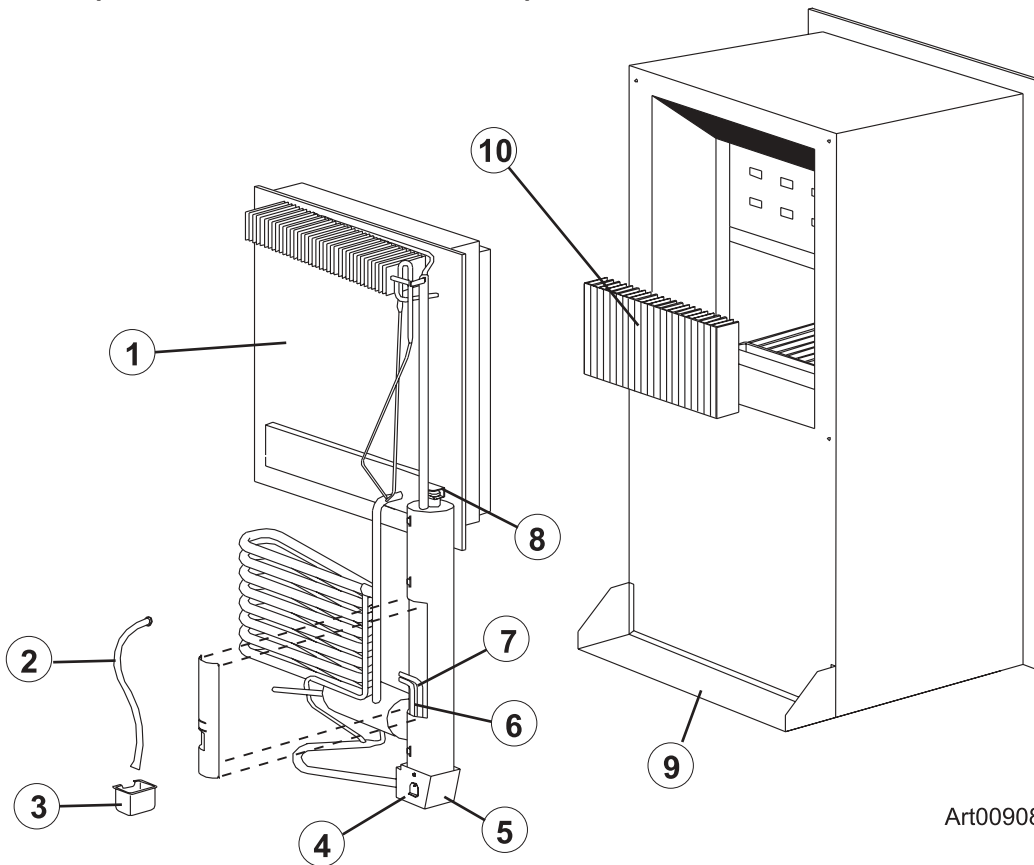
CABINET AREA (FRONT VIEW) - MODEL SERIES N64/N84

NO.	PART #	DESCRIPTION	(SERIES)	N640 N641	N841	N842	N843
1	622319	TRIM PIECE ASSY-TOP/WITH INSERTS/BLACK		N641	N841	N842	N843
	622931	TRIM PIECE ASSY-TOP/WITH INSERTS/BROWN (USE 622926)		N640			
2	618170	HOLE PLUG-FOR TOP TRIM PIECE/BLACK (2 PER CABINET)		N641	N841	N842	N843
	622930	HOLE PLUG-FOR TOP TRIM PIECE/BROWN (2 PER CABINET)		N640			
3	624785	HINGE-3 POINT/TOP RH/BTM LH/WRAP/BLACK/SDL (2 PER CABINET)		N641	N841	N842	N843
	623771	HINGE-3 POINT/TOP RH/BTM LH/PANEL/BLACK/SDL (2 PER CABINET)		N641	N841	N842	N843
	624787	HINGE-3 POINT/TOP RH/BTM LH/PANEL/BROWN/SDL (2 PER CABINET)		N640			
	619335	HINGE-3 POINT/TOP RH/BTM LH/PANEL/BLACK/WDL (2 PER CABINET)		N641	N841	N842	N843
	622885	HINGE-3 POINT/TOP RH/BTM LH/PANEL/BROWN/WDL (2 PER CABINET)		N640			
4	624786	HINGE-3 POINT/TOP LH/BTM RH/WRAP/BLACK/SDL (2 PER CABINET)		N641	N841	N842	N843
	623772	HINGE-3 POINT/TOP LH/BTM RH/PANEL/BLACK/SDL (2 PER CABINET)		N641	N841	N842	N843
	624789	HINGE-3 POINT/TOP LH/BTM RH/PANEL/BLACK/SDL (2 PER CABINET)		N640			
	619336	HINGE-3 POINT/TOP LH/BTM RH/PANEL/BLACK/WDL (2 PER CABINET)		N641	N841	N842	N843
	622886	HINGE-3 POINT/TOP LH/BTM RH/PANEL/BLACK/WDL (2 PER CABINET)		N640			
5	622295	TRIM PIECE FOAM TAPE ASSY-SIDE/6'/BLACK (2 PER CABINET)		N641			
	623516	TRIM PIECE FOAM TAPE ASSY-SIDE/6'/BROWN (2 PER CABINET)		N640			
	622296	TRIM PIECE FOAM TAPE ASSY-SIDE/8'/BLACK (2 PER CABINET)			N841	N842	N843
6	61630422	ICE CUBE TRAY-(NON ICE MAKER MODELS ONLY)(2 PER CABINET)		ALL	ALL	ALL	
7	620249	SHELF-WIRE/FREEZER (ICE MAKER MODELS)		ALL	ALL	ALL	ALL
	620250	SHELF-WIRE/FREEZER (NON ICEMAKER MODELS)		ALL	ALL	ALL	
8	628976	CONTROL ASSY-OPTICAL/BLACK SERIAL# EG2=9044284 & ABOVE - EG3=8938728 & ABOVE		N641	N841	N842	N843
	629794	CONTROL ASSY-OPTICAL/BROWN SERIAL# EG2=9044284 & ABOVE - EG3=8938728 & ABOVE		N640			
	619665	CONTROL ASSY-OPTICAL/BLACK (LIMITED AVAILABILITY) (SERIAL# EG2=9044283 & BELOW - EG3=8938727 & BELOW)		N641	N841	N842	N843
	633287	KIT-CONTROLS ADAPTER-BLACK/EG2 (SERIAL# = 9044283 & BELOW)		N641	N841	N842	N843
	633280	KIT-CONTROLS ADAPTER-BLACK/EG3 (SERIAL# = 8938727 & BELOW)		N641	N841		
	633207	KIT-CONTROLS ADAPTER-BROWN/EG3 (SERIAL# = 8938727 & BELOW)		N640			
9	619282	FRONT BOX-BLACK		N641	N841	N842	N843
	622896	FRONT BOX-LIGHT BROWN		N640			
10	623250	DRIP TRAY-INSIDE (ONE PIECE DRIP TRAY & LOUVER)		ALL	ALL	ALL	ALL
11	620269	SHELF-WIRE/SHORT		ALL	ALL	ALL	ALL
12	620270	SHELF-WIRE/FULL		1	1	2	2
13	617756	TRAY-SHELF/WHITE/CUT OUT		ALL	ALL	ALL	ALL
14	620268	SHELF-WIRE/CUT OUT		ALL	ALL	ALL	ALL
15	618158	CRISPER COVER-GLASS SHELF		ALL	ALL	ALL	ALL
16	619007	BIN-ICE/CRISPER/CLEAR (2 PER MODEL)(3 PER ICE MAKER MODEL)		ALL	ALL	ALL	ALL
17	618145	HINGE PIN-DOOR/BLACK (4 PER)/WDL PANEL/SDL WRAP)		N641	N841	N842	N843
	622925	HINGE PIN-DOOR/PANEL/BROWN (4 PER REFRIGERATOR)		N640			
	623899	HINGE PIN-UPPER/LOWER/BLACK/SDL PANEL		N641	N841	N842	N843
	61550722	HINGE PIN-BOTTOM/WDL/SDL		N641	N841	N842	N843
18	619671	HINGE BUSHING-DOOR/WARM GRAY (4 PER REFRIGERATOR)		ALL	ALL	ALL	ALL
19	619301	COVER-HINGE HOLE/WHITE/3 POINT (2 PER CABINET)		ALL	ALL	ALL	ALL
20	622323	TRIM PIECE FOAM TAPE ASSY-CABINET/BOTTOM/BLACK		N641	N841	N842	N843
	622927	TRIM PIECE FOAM TAPE ASSY-CABINET/BOTTOM/BROWN (USE 622926)		N640			
21	618181	RETAINER-SHELF (SERIAL # 926963 AND BELOW)		N641	ALL	ALL	ALL
	622033	RETAINER-SHELF (SERIAL # 926964 AND ABOVE)		ALL	ALL	ALL	ALL
22	61586722	BRACE-CABINET/BACK		ALL	ALL	ALL	ALL
23	619561	HOLE PLUG-DIVIDER/WHITE (MODELS PRODUCED PRIOR TO 07/21/98)		N641	N841		
	620282	HOLE PLUG-DIVIDER/WHITE (MODELS PRODUCED AFTER 07/20/98)		ALL	ALL	ALL	ALL
24	618167	STRIKE PLATE-BLACK		N641	N841	N842	N843
	619673	STRIKE PLATE-WARM GRAY		N640			
NS	622325	KIT-INSTALLATION/BLACK (TRIM PIECES/SCREWS/PLUGS)(NOT SHOWN)		N641	N841	N842	N843
NS	622926	KIT-INSTALLATION/BROWN (TRIM PIECES/SCREWS/PLUGS)(NOT SHOWN)		N640			

WDL = WAFFLE DOOR LINER SURFACE SDL = SMOOTH DOOR LINER SURFACE

NOTE: IF THE CONTROL ASSY-OPTICAL HAS BEEN REPLACED WITH A KIT-CONTROL ADAPTOR, THE POWER BOARD MUST BE REPLACED WITH A NEW KIT-CONTROL ADAPTER.

CABINET AREA (REAR VIEW/COOLING UNIT) - MODEL SERIES N64/N84



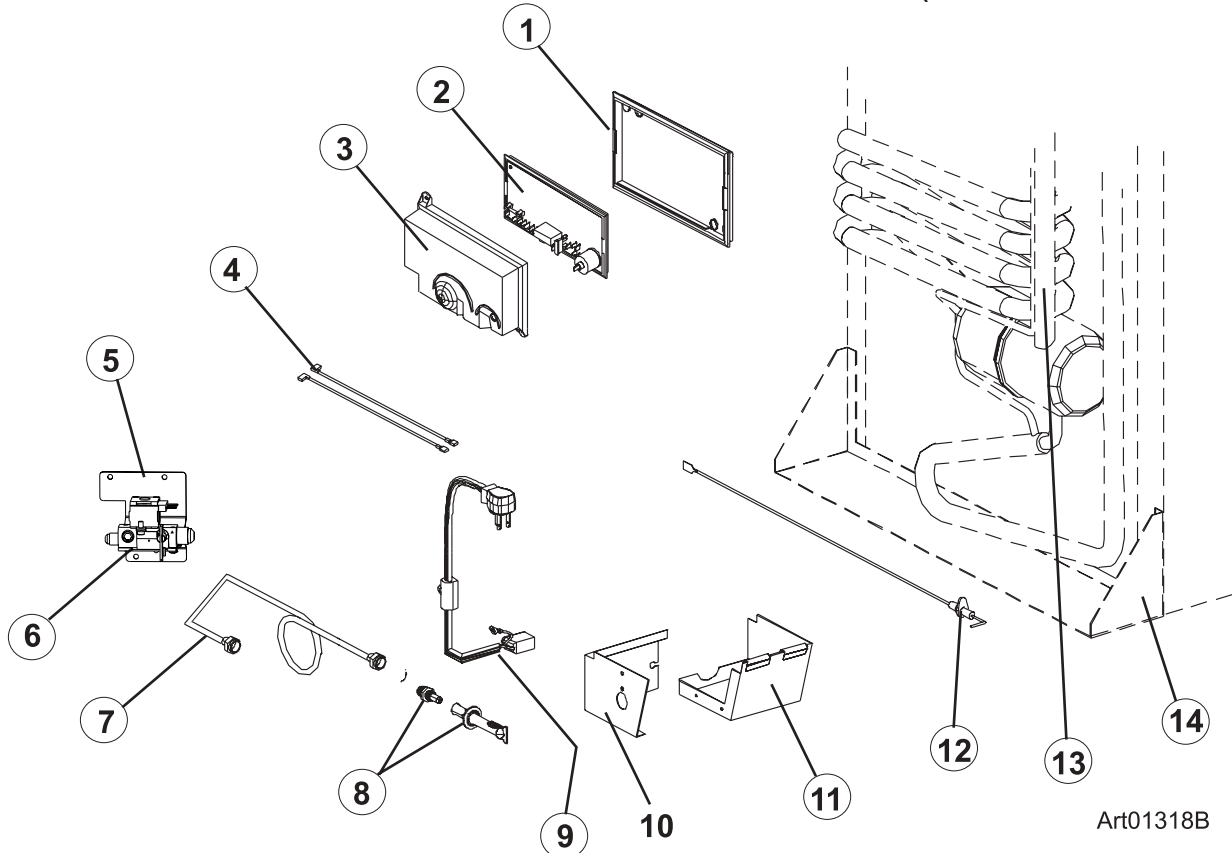
Art00908B

NO.	PART #	DESCRIPTION	(SERIES)	N640 N641	N841	N842	N843
1	632307	NSC SYSTEM PACK-COOLING UNIT (BACKER HEATER)		X			
	632314	NSC SYSTEM PACK-COOLING UNIT (BACKER HEATER)			X	X	X
	2M0802	THERMAL SWITCH/BRACKET ASSY (SEE NOTE)		X	X	X	X
NS	618111	BAFFLE/WIRE ASSY (NOT SHOWN)		X	X	X	X
2	622390	DRAIN HOSE ASSY		X			
	622391	DRAIN HOSE ASSY			X	X	X
	622857	KIT-DRAIN HOSE REPAIR		X	X	X	X
3	622546	DRIP CUP-REAR/PLASTIC		X	X	X	X
4	61712637	COVER ASSY-BURNER BOX		X	X	X	X
5	61695322	BASE-BURNER BOX		X	X	X	X
6	621702	HEATER-AC (COOLING UNIT SERIAL# 11231023 & BELOW)		X			
		HEATER-AC (COOLING UNIT SERIAL# 11232007 & BELOW)			X	X	X
	630811	HEATER-AC/BACKER (COOLING UNIT SERIAL# 11231024 & ABOVE)		X			
		HEATER-AC/BACKER (COOLING UNIT SERIAL# 11232008 & ABOVE)			X	X	X
7	626832	HEATER-DC (COOLING UNIT SERIAL# 11231023 & BELOW)		EG3			
		HEATER-DC (COOLING UNIT SERIAL# 11232007 & BELOW)			EG3	EG3	EG3
	630812	HEATER-DC/BACKER (COOLING UNIT SERIAL# 11231024 & ABOVE)		EG3			
		HEATER-DC/BACKER (COOLING UNIT SERIAL# 11232008 & ABOVE)			EG3	EG3	EG3
8	61695022	CAP-HEAT DEFLECTOR		X	X	X	X
9	61586722	BRACE-CABINET/BACK		X	X	X	X
10	61686823	FINS		X	X	X	X

NOTE: FOR COOLING UNITS WITH A THERMAL SWITCH.

CONTROLS (REAR VIEW) - MODEL SERIES N640.3, N641, N841, N842, N843

NOTE: FOR MODELS PRODUCED WITHOUT A SEPARATE MANUAL SHUT OFF VALVE (SERIAL # 656980 & AFTER)



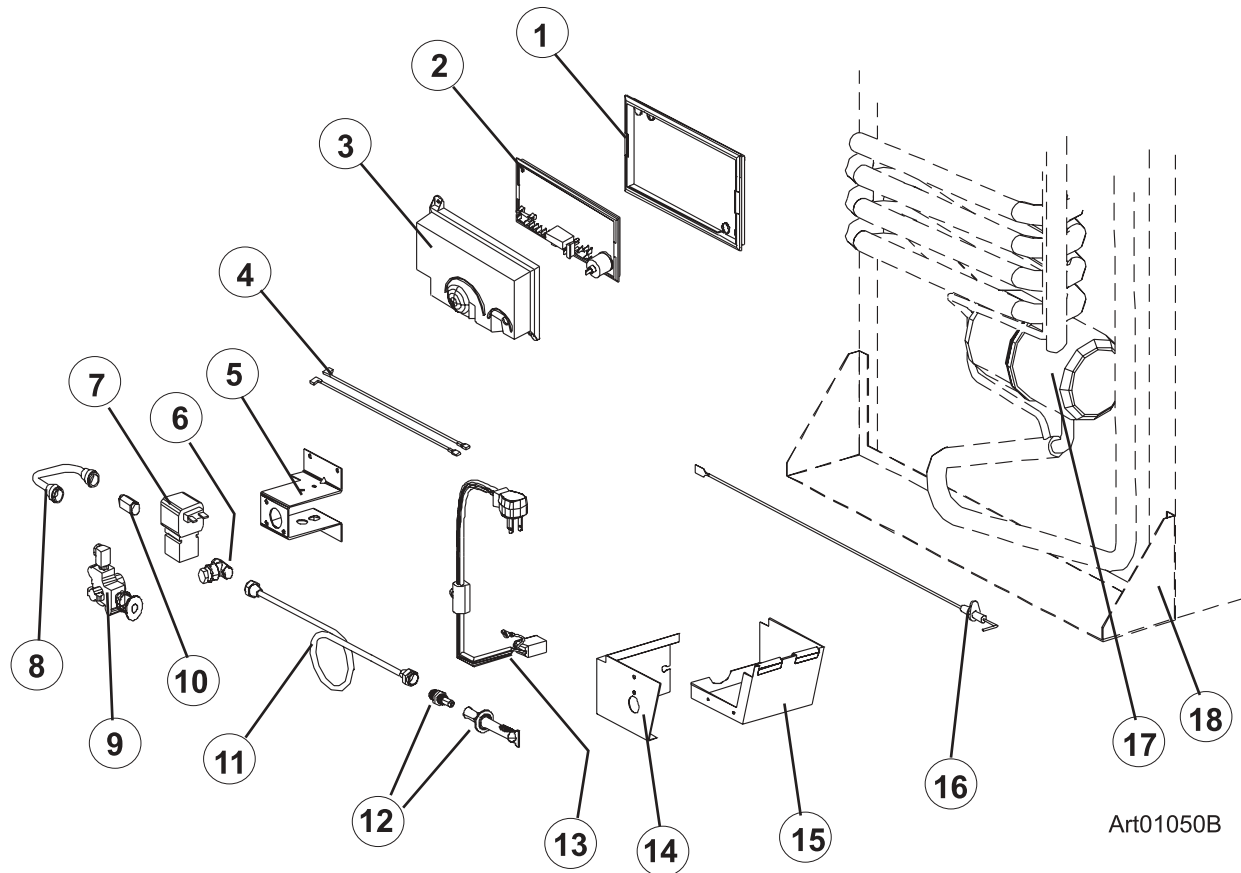
Art01318B

NO.	PART #	DESCRIPTION	(SERIES)	N640 N641	N841	N842	N843
1	618186	BASE-POWER BOARD SERIAL# (EG2=9044283 & BELOW)(EG3=8938727 & BELOW)		ALL	ALL	ALL	ALL
	628674	BASE-POWER BOARD/EG2 (SERIAL# 9044284 & ABOVE)		N641	ALL	ALL	ALL
	628675	BASE-POWER BOARD/EG3 (SERIAL# 8938728 & ABOVE EXCEPT N640.3)		N641	ALL		
2	621269001	KIT-POWER BOARD/EG2 (SERIAL# 9044283 & BELOW)		N641	ALL	ALL	ALL
	621270001	KIT-POWER BOARD/EG3 (SERIAL# 8938727 & BELOW EXCEPT N640.3)		N641	ALL		
	628661	POWER BOARD SERIAL# (EG2=9044284 & ABOVE)(EG3=8938728 & ABOVE EXCEPT		N641	ALL	ALL	ALL
	628669	DC BOARD-EG3(SERIAL# 89387287 & ABOVE EXCEPT N640.3)		N641	ALL		
3	618185	COVER-POWER SUPPLY SERIAL# (EG2=9044283 & BELOW)(EG3=8938727 & BELOW EXCEPT		N641	ALL	ALL	ALL
	628677	COVER-POWER BOARD/EG2 (SERIAL# 9044284 & ABOVE)		N641	ALL	ALL	ALL
	628678	COVER-POWER BOARD/EG3 (SERIAL# 8938728 & ABOVE EXCEPT N640.3)		N641	ALL		
4	621448	WIRE-WHITE/9"/GAS VALVE (2 PER ASSEMBLY)		ALL	ALL	ALL	ALL
5	624681	BRACKET-MOUNTING/GAS VALVE (9185698 & BELOW)		ALL	ALL	ALL	ALL
	628993	BRACKET-MOUNTING/GAS VALVE (9185699 & ABOVE)		ALL	ALL	ALL	ALL
6	621334	KIT-GAS VALVE/BRACKET/WIRES (9185698 & BELOW)		ALL	ALL	ALL	ALL
	628741	GAS VALVE-COMBINATION (9185699 & ABOVE)		ALL	ALL	ALL	ALL
7	624682	BURNER TUBE-N8/N6 SERIES		ALL	ALL	ALL	ALL
8	621957	KIT-BURNER/ORIFICE ADAPTER ASSY - ORIFICE AND/OR BURNER		ALL	ALL	ALL	ALL
9	61554422	CORD-AC POWER/BLACK		ALL	ALL	ALL	ALL
	618406	CORD-AC POWER/IM		ALL	ALL	ALL	
NS	621755	CORD-POWER/ICE MAKER/WHITE (NOT SHOWN)					ALL
10	61712637	COVER ASSY-BURNER BOX		ALL	ALL	ALL	ALL
11	61695322	BASE-BURNER BOX		ALL	ALL	ALL	ALL
12	61692222	ELECTRODE-SPARK/SENSE/SINGLE ELECTRODE/0.25"		ALL	ALL	ALL	ALL
	632307	NSC SYSTEM PACK-COOLING UNIT (BACKER HEATER)		ALL			
13	632314	NSC SYSTEM PACK-COOLING UNIT (BACKER HEATER)			ALL	ALL	ALL
	61586722	BRACE-CABINET/BACK		ALL	ALL	ALL	ALL

NOTE: IF THE CONTROL ASSY-OPTICAL HAS BEEN REPLACED WITH A KIT-CONTROL ADAPTOR, THE POWER BOARD MUST BE REPLACED WITH A NEW KIT-CONTROL ADAPTER.

CONTROLS (REAR VIEW) - MODEL SERIES N641/ N841

NOTE: FOR MODELS MADE WITH A SEPARATE MANUAL SHUT OFF VALVE (SERIAL # 656979 & BELOW).

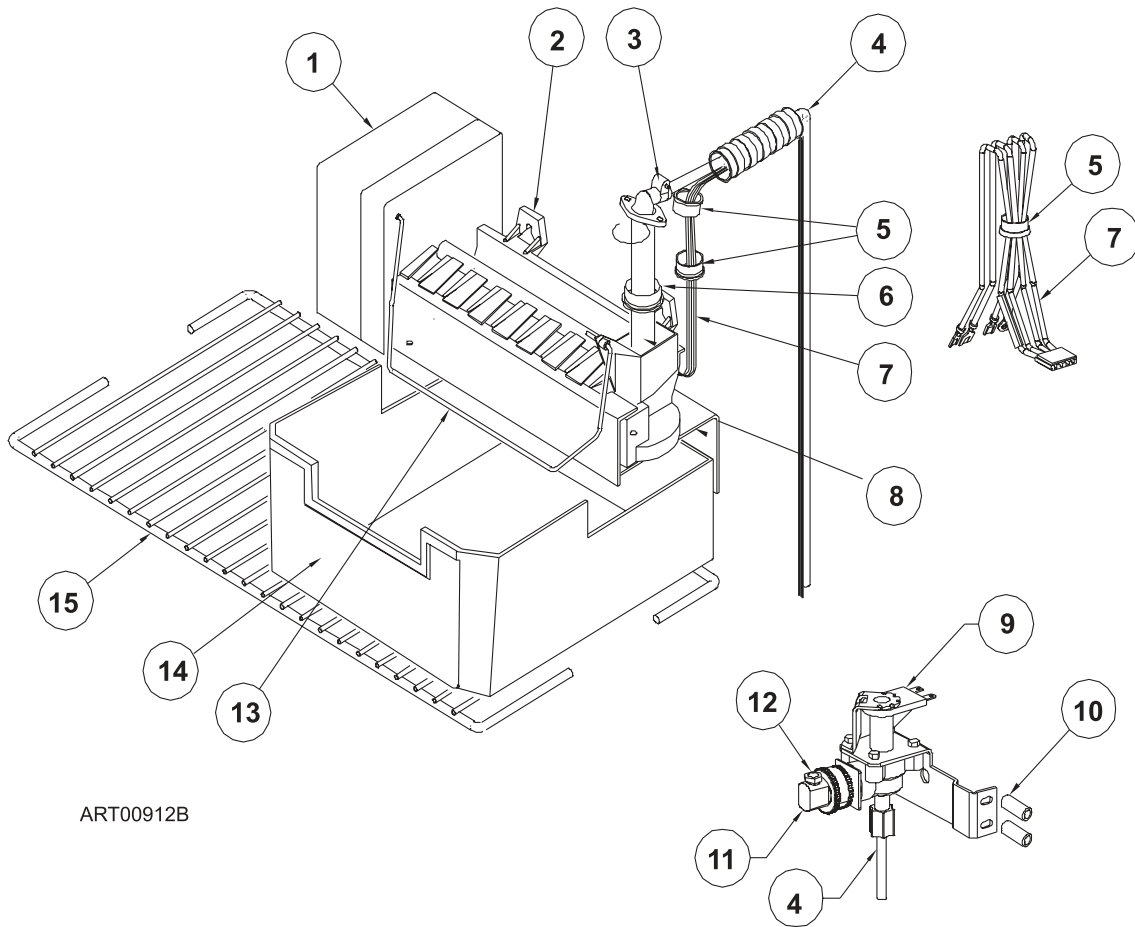


Art01050B

NO.	PART #	DESCRIPTION	(SERIES)	N641	N841
1	618186	BASE-POWER BOARD		ALL	ALL
2	621269001	KIT-POWER BOARD -EG2		ALL	ALL
	621270001	KIT-POWER BOARD -EG3		ALL	ALL
3	618185	COVER-POWER SUPPLY		ALL	ALL
4	621448	WIRE-WHITE/9"/GAS VALVE (2 PER ASSEMBLY)		ALL	ALL
5	61694022	BRACKET-MOUNTING/GAS VALVE		ALL	ALL
6	61594422	PRESSURE TAP		ALL	ALL
	61445322	PLUG-1/8"/FOR PRESSURE TAP		ALL	ALL
7	621334	KIT-GAS VALVE/BRACKET/WIRES		ALL	ALL
8	61694622	UNION TUBE		ALL	ALL
9	61694922	MANUAL SHUT OFF VALVE ASSY (USE 621444)		ALL	ALL
10	61546822	CONNECTOR-MALE		ALL	ALL
11	618252	BURNER TUBE		ALL	ALL
12	621957	KIT-BURNER/ORIFICE ADAPTER ASSY		ALL	ALL
13	61554422	CORD-AC POWER/BLACK (NON ICEMAKER MODELS ONLY)		ALL	ALL
	618406	CORD-AC POWER/IM/BLACK (ICE MAKER MODELS)		ALL	ALL
14	61712637	COVER ASSY-BURNER BOX		ALL	ALL
15	61695322	BASE-BURNER BOX		ALL	ALL
16	61692222	ELECTRODE-SPARK/SENSE/SINGLE ELECTRODE/0.25"		ALL	ALL
17	632307	NSC SYSTEM PACK-COOLING UNIT (BACKER HEATER)		ALL	
	632314	NSC SYSTEM PACK-COOLING UNIT (BACKER HEATER)			ALL
18	61586722	BRACE-CABINET/BACK		ALL	ALL

NOTE: IF THE CONTROL ASSY-OPTICAL HAS BEEN REPLACED WITH A KIT-CONTROL ADAPTOR, THE POWER BOARD MUST BE REPLACED WITH A NEW KIT-CONTROL ADAPTER.

ICE MAKER AREA - MODEL SERIES N64/N84 (ICE MAKER MODELS)

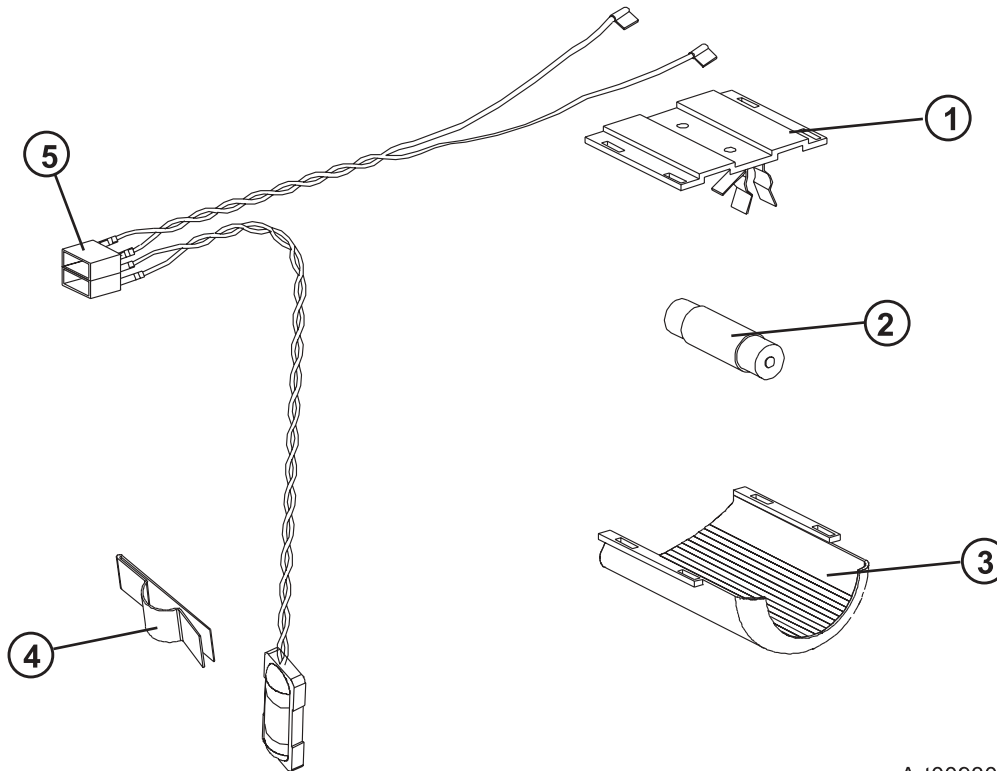


ART00912B

NO.	PART #	DESCRIPTION	(SERIES)	N641IM	N841IM	N842IM	N843IM
1	61656822	COVER-FRONT/ICE MAKER		N641IM	N841IM	N842IM	N843IM
2	633324	KIT-ICE MAKER		N641IM	N841IM	N842IM	N843IM
3	61690822	CLAMP-TUBING/IM		N641IM	N841IM	N842IM	N843IM
4	617869	TUBE-WATER FEED/IM/68" (USE 621429)		N641IM	N841IM	N842IM	N843IM
5	61346822	BUSHING-SNAP		N641IM	N841IM	N842IM	N843IM
6	620659	FITTING-WATER TUBE		N641IM	N841IM	N842IM	N843IM
7	618407	WIRING HARNESS-IM		N641IM	N841IM	N842IM	N843IM
8	617831	BRACKET-MOUNTING/ICE MAKER (ENDING 09/26/99)		N641IM	N841IM		
	620889	BRACKET-MOUNTING/ICE MAKER (STARTING 09/27/99)		N641IM	N841IM	N842IM	N843IM
9	633325	KIT-WATER VALVE/SINGLE PORT		N641IM	N841IM	N842IM	N843IM
10	618169	SPACER-WATER VALVE/NYLON		N641IM	N841IM	N842IM	N843IM
11	61679622	GARDEN HOSE ADAPTER-STRAIGHT/IM		N641IM	N841IM	N842IM	N843IM
12	622991	NUT-COMPRESSION/WATER VALVE FITTING/IM/PLASTIC		N641IM	N841IM	N842IM	N843IM
	622846	NUT-COMPRESSION/WATER VALVE FITTING/IM/BRASS		N641IM	N841IM	N842IM	N843IM
13	61656922	SHUT OFF ARM/IM		N641IM	N841IM	N842IM	N843IM
14	619007	BIN-ICE/CRISPER/CLEAR		N641IM	N841IM	N842IM	N843IM
15	632445	SHELF-WIRE/FREEZER/N84/N64 (620249 OLDER MODELS)		N641IM	N841IM	N842IM	N843IM
NS	621429	WATER TUBE/HEATER ASSY/FOR ICE MAKER		N641IM	N841IM	N842IM	N843IM
NS	623182	KIT-OEM WATER TUBE FITTINGS/IM		X	X	X	X

NS - NOT SHOWN

INTERIOR LIGHT AND THERMISTER ASSY - MODEL SERIES N64/N842



Art00930B

NO.	PART #	DESCRIPTION	(SERIES)	N640 N641	N841	N842	N843
1	61629722	LAMP BRACKET ASSY		ALL	ALL	ALL	ALL
2	632545	LAMP-DC LIGHT BULB		ALL	ALL	ALL	ALL
3	621827	COVER-LAMP BRACKET		ALL	ALL	ALL	ALL
4	61689122	CLIP-THERMISTER MOUNTING/FIN		ALL	ALL	ALL	ALL
5	618548	LAMP THERMISTER WIRE ASSY		ALL	ALL	ALL	ALL

FAN MODEL COMPONENTS - MODELS SERIES N64/N84

NOTE: LOWER FAN POSITION - MODELS WITH SERIAL # BELOW 9056492

PART #	DESCRIPTION	WITHOUT ICE MAKER	WITH ICE MAKER	VELOCITY WITHOUT ICE MAKER	VELOCITY WITH ICE MAKER
618857	BRACKET-DC FAN	1	1	1	1
619016	BRACKET-FAN SUPPORT	1	1	1	1
61417922	CABLE TIE-NYLON	3	4	3	4
618856	FAN-EXTERNAL DC	1	1		
623442	FAN-EXTERNAL DC/HIGH VELOCITY			1	1
618093	THERMOSTAT-DC FAN/THERMO DISC	1	1	1	1
618950	WIRE MOUNT-ADHESIVE	2	2	2	2
621943	WIRE-60" (FAN MODELS)	1	1	1	1
621431	WIRE-AUXILLARY/BLACK/POSITIVE (+)	1		1	
621430	WIRE-AUXILLARY/RED/NEGATIVE (-)	1		1	
618700	WIRE-BLACK/24"/18 GA	1	1	1	1
619017	WIRE-BLACK/6"/18 GA		1		1
618978	WIRE-FAN/RED/6"/18 GA/12V		1		1
618701	WIRE-RED/36"/18 GA	1	1	1	1

NOTE: LOWER FAN POSITION - MODELS WITH SERIAL # 9056492 TO 10087057

PART #	DESCRIPTION	WITHOUT ICE MAKER	WITH ICE MAKER	VELOCITY WITHOUT ICE MAKER	VELOCITY WITH ICE MAKER
618857	BRACKET-DC FAN	1	1	1	1
619016	BRACKET-FAN SUPPORT	1	1	1	1
61417922	CABLE TIE-NYLON	3	4	3	4
618856	FAN-EXTERNAL DC	1	1		
623442	FAN-EXTERNAL DC/HIGH VELOCITY			1	1
618093	THERMOSTAT-DC FAN/THERMO DISC	1	1	1	1
618950	WIRE MOUNT-ADHESIVE	2	2	2	2
621943	WIRE-60" (FAN MODELS)	1	1	1	1
628758	WIRE-AUXILLARY/OUTPUT/BLACK	1		1	
628759	WIRE-AUXILLARY/OUTPUT/RED	1		1	
619017	WIRE-BLACK/6"/18 GA		1		1
628999	WIRE-NEGATIVE/AUXILLARY TO Y CONNECTION	1	1	1	1
618978	WIRE-RED/6"/18 GA/12V		1		1
618701	WIRE-RED/36"/18 GA	1	1	1	1

NOTE: UPPER FAN POSITION - MODELS WITH SERIAL # ABOVE 10087057

PART #	DESCRIPTION	WITHOUT ICE MAKER	WITH ICE MAKER	VELOCITY WITHOUT ICE MAKER	VELOCITY WITH ICE MAKER
628747	BRACKET-DC FAN	1	1	1	1
61417922	CABLE TIE-NYLON	3	4	3	4
628685	FAN-EXTERNAL DC	1	1		
623442	FAN-EXTERNAL DC/HIGH VELOCITY			1	1
618093	THERMOSTAT-DC FAN/THERMO DISC	1	1	1	1
629883	WIRE ASSY	1	1	1	1
629882	WIRE ASSY	1	1	1	1
618950	WIRE MOUNT-ADHESIVE	2	2	2	2
621943	WIRE-60" (FAN MODELS)	1	1	1	1
628758	WIRE-AUXILLARY/OUTPUT/BLACK	1	1	1	1
628759	WIRE-AUXILLARY/OUTPUT/RED	1	1	1	1
619017	WIRE-BLACK/6"/18 GA		1		1
618978	WIRE-FAN/RED/6"/18 GA/12V		1		1