

PARTS LIST

1210 SERIES

ALL ELECTRIC MODELS

PANEL TYPE DOORS

1210ACIM
1210ACIMD

WRAP TYPE DOORS

1210ACIMSSD
1210ACSS

GAS ELECTRIC MODELS

PANEL TYPE DOORS

1210
1210IM
1210IMD
1210IMPFS
1211IM

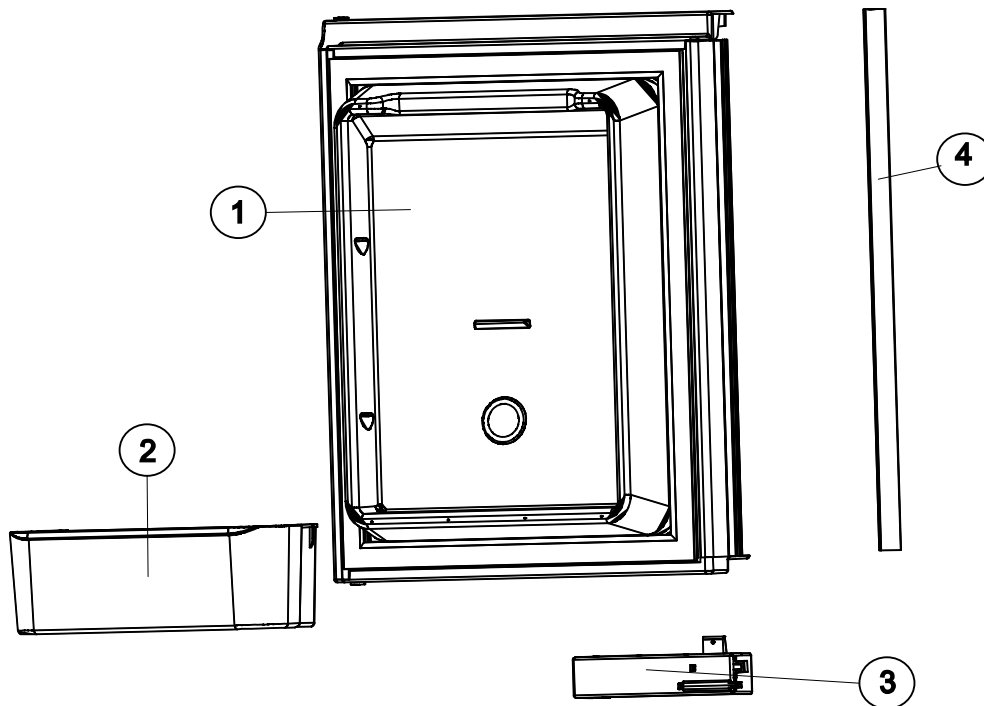
WRAP TYPE DOORS

1210BK
1210IMBK
1210IMBKD
1210IMSS
1210IMSSD
1210SS
1211IMSS
1211IMWPM
1211WPM

MODEL IDENTIFICATION CODES

AC = ALL ELECTRIC MODELS
IM = ICE MAKER MODELS
BK = BLACK WRAPPED MODELS
PFS = PANEL DOOR WITH FAUX SS DOOR PANELS INSERTED
SS = STAINLESS STEEL WRAPPED MODELS
WPM = PEWTER ROYCE WRAPPED DOOR MODELS
D = WATER DISPENSER MODELS

DOOR - UPPER RH - 1210 SERIES



NO.	PART #	DESCRIPTION	1210AC MODELS	1210 MODELS	1211 MODELS
1	627942	DOOR LINER ASSY-UPPER/RH/PANEL	PN	PN	PN
	629130	DOOR LINER ASSY-UPPER/RH/WRAP/BLACK		BK	
	632740	DOOR LINER ASSY-UPPER/RH/WRAP/AT BLACK (EFFECTIVE 07/30/08)		BK	
	630094	DOOR LINER ASSY-UPPER/RH/WRAP/SS (VALSPAR)(SN 9658578 TO 11723120)	SS	SS	SS
	632739	DOOR LINER ASSY-UPPER/RH/WRAP/SS (AT STAINLESS)(SN 11723121 & ABOVE)	SS	SS	SS
	62913401	DOOR LINER ASSY-UPPER/RH/WRAP/PEWTER ROYCE			WPM
2	628686	BIN-DOOR SHELF	ALL	ALL	ALL
3	629815	DOOR HANDLE ASSY-UPPER RH DOOR/LOWER LH DOOR	ALL	ALL	
	621106	DOOR HANDLE ASSY-UPPER RH DOOR/LOWER LH DOOR			ALL
NS	619374	STORAGE LATCH-DOOR/BLACK (NOT SHOWN)			ALL
4	627947	PANEL RETAINER-UPPER/PANEL TYPE ONLY	PN	PN	PN

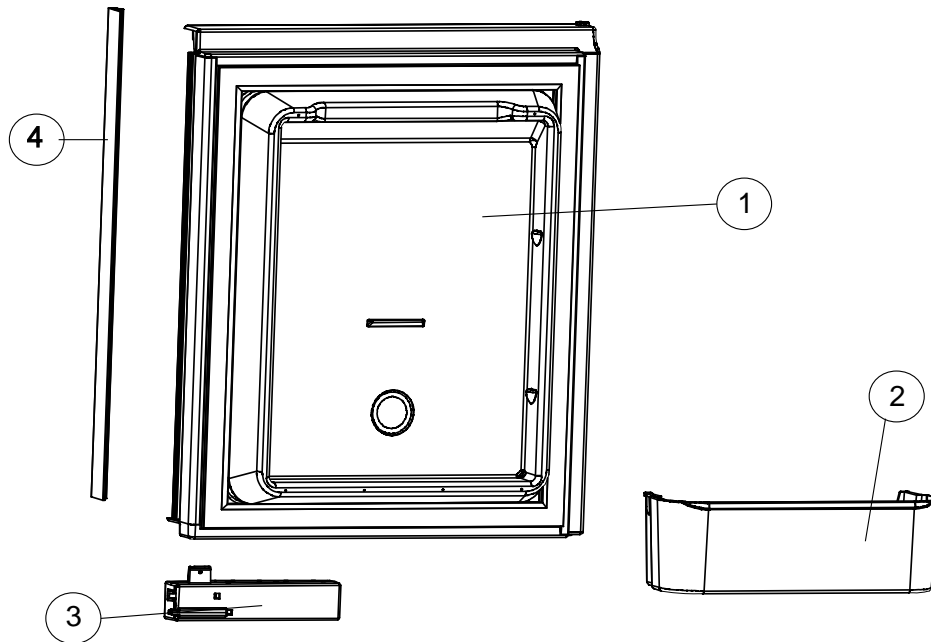
PN = PANEL TYPE DOORS

BK = BLACK WRAP TYPE DOORS

SS = STAINLESS STEEL WRAP TYPE DOORS

WPM = PEWTER ROYCE WRAP TYPE DOORS

DOOR - UPPER LH - 1210 SERIES



NO.	PART #	DESCRIPTION	1210AC MODELS	1210 MODELS	1211 MODELS
1	627941	DOOR LINER ASSY-UPPER/LH/PANEL	PN	PN	PN
	629129	DOOR LINER ASSY-UPPER/LH/WRAP/BLACK		BK	
	632742	DOOR LINER ASSY-UPPER/LH/WRAP/AT BLACK (EFFECTIVE 07/30/08)		BK	
	630095	DOOR LINER ASSY-UPPER/LH/WRAP/SS (VALSPAR)(SN 9658578 TO 11723120)	SS	SS	SS
	632741	DOOR LINER ASSY-UPPER/LH/WRAP/SS (AT STAINLESS)(SN 11723121 & ABOVE)	SS	SS	SS
	62913301	DOOR LINER ASSY-UPPER/LH/WRAP/PEWTER ROYCE			WPM
2	628686	BIN-DOOR SHELF	ALL	ALL	ALL
3	629814	DOOR HANDLE ASSY-UPPER LH DOOR/LOWER RH DOOR	ALL	ALL	
	621107	DOOR HANDLE ASSY-UPPER LH DOOR/LOWER RH DOOR			ALL
NS	619374	STORAGE LATCH-DOOR/BLACK (NOT SHOWN)			ALL
4	627947	PANEL RETAINER-UPPER (PANEL TYPE ONLY)	PN	PN	PN

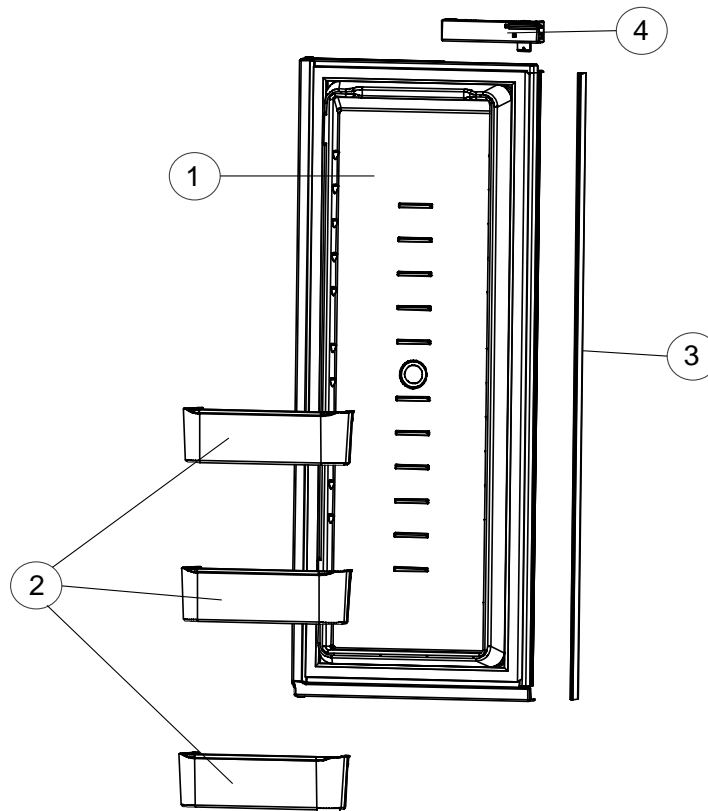
PN = PANEL TYPE DOORS

BK = BLACK WRAP TYPE DOORS

SS = STAINLESS STEEL WRAP TYPE DOORS

WPM = PEWTER ROYCE WRAP TYPE DOORS

DOOR - LOWER RH - 1210 SERIES



NO.	PART #	DESCRIPTION	1210AC MODELS	1210 MODELS	1211 MODELS
1	627944	DOOR LINER ASSY-LOWER/RH/PANEL	PN	PN	PN
	629132	DOOR LINER ASSY-LOWER/RH/WRAP/BLACK		BK	
	632744	DOOR LINER ASSY-LOWER/RH/WRAP/AT BLACK (EFFECTIVE 07/30/08)		BK	
	630096	DOOR LINER ASSY-LOWER/RH/WRAP/SS (VALSPAR)(SN 9658578 TO 11723120)	SS	SS	SS
	632743	DOOR LINER ASSY-LOWER/RH/WRAP/SS (AT STAINLESS)(SN 11723121 & ABOVE)	SS	SS	SS
	62913601	DOOR LINER ASSY-LOWER/RH/WRAP/PEWTER ROYCE			WPM
2	628686	BIN-DOOR SHELF	ALL	ALL	ALL
3	627948	PANEL RETAINER-LOWER (PANEL TYPE ONLY)	PN	PN	PN
4	629814	DOOR HANDLE ASSY-UPPER LH DOOR/LOWER RH DOOR	ALL	ALL	
	621107	DOOR HANDLE ASSY-UPPER LH DOOR/LOWER RH DOOR			ALL
NS	619374	STORAGE LATCH-DOOR/BLACK (NOT SHOWN)			ALL

PART IS NO LONGER AVAILABLE

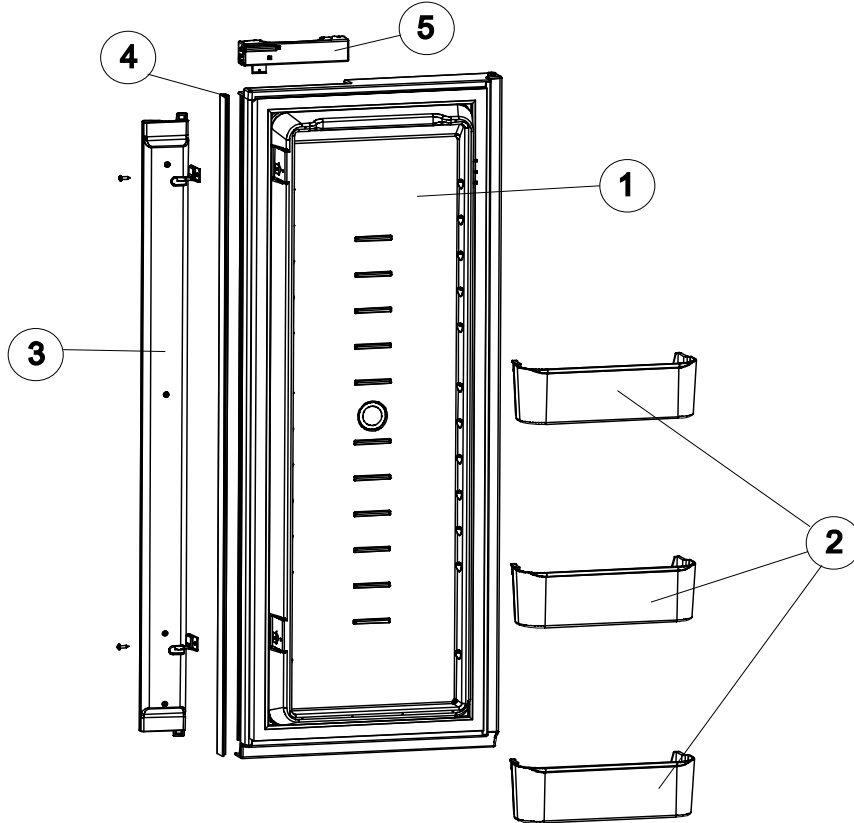
PN = PANEL TYPE DOORS

BK = BLACK WRAP TYPE DOORS

SS = STAINLESS STEEL WRAP TYPE DOORS

WPM = PEWTER ROYCE WRAP TYPE DOORS

DOOR - LOWER LH - 1210 SERIES



NO.	PART #	DESCRIPTION	1210AC MODELS	1210 MODELS	1211 MODELS
1	627943	DOOR LINER ASSY-LOWER/LH/PANEL	PN	PN	PN
	629146	DOOR LINER ASSY-LOWER/LH/PANEL/DISPENSER		PND	
	629131	DOOR LINER ASSY-LOWER/LH/WRAP/BLACK		BK	
	632747	DOOR LINER ASSY-LOWER/LH/WRAP/AT BLACK (EFFECTIVE 07/30/08)		BK	
	629148	DOOR LINER ASSY-LOWER/LH/WRAP/BLACK/DISPENSER		BKD	
	632748	DOOR LINER ASSY-LOWER/LH/WRAP/AT BLACK/DISPENSER (EFFECTIVE 07/30/08)		BKD	
	630097	DOOR LINER ASSY-LOWER/LH/WRAP/SS (VALSPAR)(SN 9658578 TO 11723120)	SS	SS	SS
	632745	DOOR LINER ASSY-LOWER/LH/WRAP/SS (AT STAINLESS)(SN 11723121 & ABOVE)	SS	SS	SS
	630098	DOOR LINER ASSY-LOWER/LH/WRAP/SS/DISPENSER (VALSPAR)(SN 9658578 TO 11723120)	SSD	SSD	SSD
	632746	DOOR LINER ASSY-LOWER/LH/WRAP/SS/DISPENSER (AT STAINLESS)(SN 11723121 & ABOVE)	SSD	SSD	SSD
	62913501	DOOR LINER ASSY-LOWER/LH/WRAP/PEWTER ROYCE			WPM
2	628686	BIN-DOOR SHELF	ALL	ALL	ALL
3	631030	FLAPPER ASSY (SERIAL # 10414601 AND ABOVE)	ALL	ALL	ALL
	631366	KIT-FLAPPER ASSY/GUIDE BLOCKS (SERIAL# 10414600 & BELOW)	ALL	ALL	ALL
4	627948	PANEL RETAINER-LOWER (PANEL TYPE ONLY)	PN	PN	PN
5	629815	DOOR HANDLE ASSY-UPPER RH DOOR/LOWER LH DOOR	ALL	ALL	
	621106	DOOR HANDLE ASSY-UPPER RH DOOR/LOWER LH DOOR			ALL
NS	619374	STORAGE LATCH-DOOR/BLACK (NOT SHOWN)			ALL

PART IS NO LONGER AVAILABLE

PN = PANEL TYPE DOORS

PND = PANEL TYPE DOORS DISPENSER MODELS

BK = BLACK WRAP TYPE DOORS

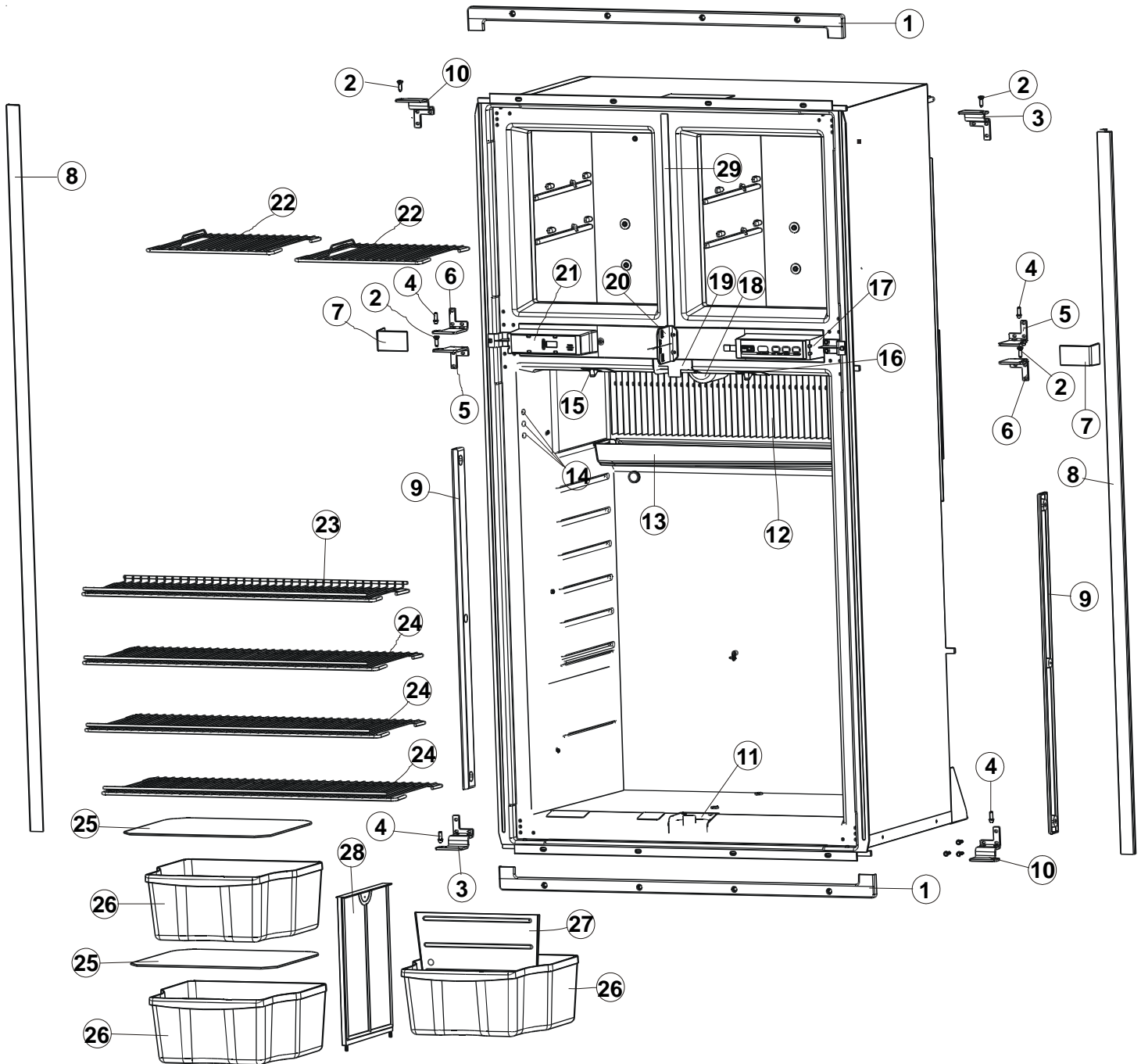
BKD - BLACK WRAP TYPE DOORS DISPENSER MODELS

SS = STAINLESS STEEL WRAP TYPE DOORS

SSD = STAINLESS STEEL WRAP TYPE DOORS DISPENSER MODELS

WPM = PEWTER ROYCE WRAP TYPE DOORS

CABINET ASSEMBLY - FRONT VIEW - 1210 SERIES

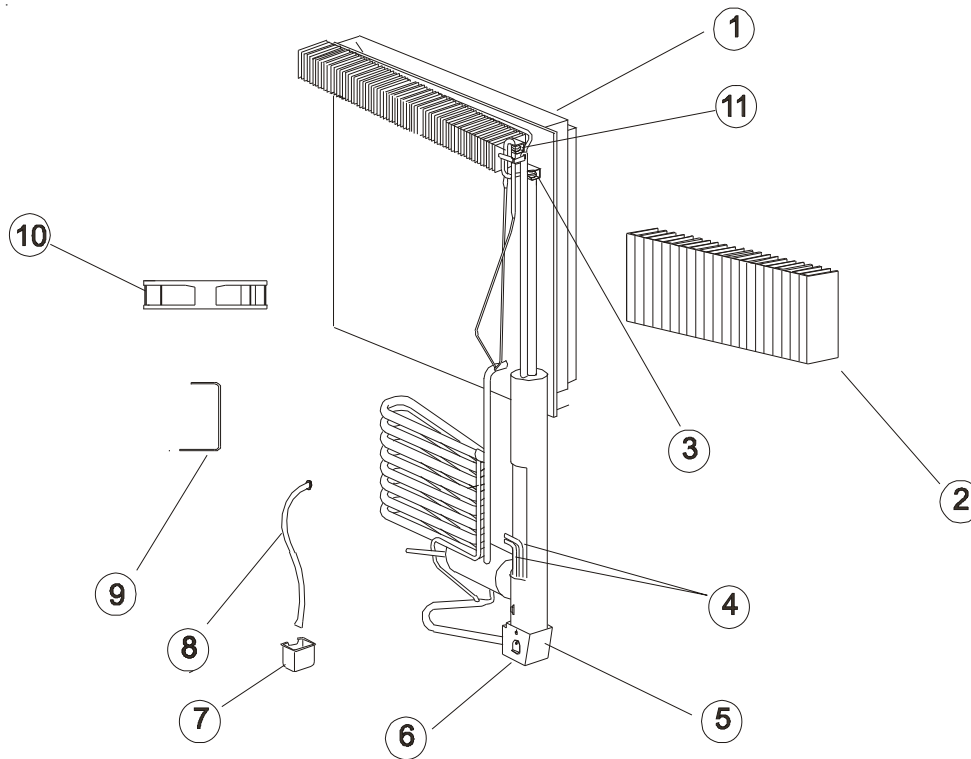


CABINET ASSEMBLY - FRONT VIEW - 1210 SERIES

NO.	PART #	DESCRIPTION	1210AC MODELS	1210 MODELS	1211 MODELS
1	623528	KIT-INSTALLATION ("U" TRIM PIECES/SCREWS/CAPS)	X	X	X
NS	618170	HOLE PLUG-FOR TOP TRIM PIECE/BLACK	X	X	X
2	623899	HINGE PIN-UPPER/BLACK	X	X	X
3	628946	HINGE-OUTSIDE/UPPER RH/LOWER LH	X	X	X
4	61550722	HINGE PIN-LOWER	X	X	X
5	624363	HINGE-INSIDE/UPPER RH/LOWER LH	X	X	X
6	624364	HINGE-INSIDE/UPPER LH/LOWER RH	X	X	X
7	627955	COVER-HINGE/1210 SERIES	X	X	X
8	623254	TRIM PIECE-SIDE/WITH "U" TOP/BOTTOM TRIM PIECE	X	X	X
9	622033	RETAINER-SHELF	X	X	X
10	628945	HINGE-OUTSIDE/UPPER LH/LOWER/RH	X	X	X
11	631360	GUIDE BLOCK ASSY-BOTTOM/BLACK (SERIAL # 10414601 & ABOVE)	X	X	X
	631366	KIT-FLAPPER ASSY/GUIDE BLOCKS (SERIAL# 10414600 & BELOW)	X	X	X
12	618785	FINS	X	X	X
13	618774	DRIP TRAY-INSIDE/CABINET	X	X	X
NS	622392	DRAIN HOSE ASSY-1200 SERIES	X	X	X
14	620689	PROBE-CONTACT/LARGE	X	X	X
15	623918	SWITCH-DOOR LIGHT/1200 SERIES	X	X	X
16	620871	LAMP THERMISTER WIRE ASSY	X	X	X
17	629113	CONTROL ASSY-OPTICAL/GE/1210 SERIES		X	X
	629817	CONTROL ASSY-OPTICAL/AC/1210 SERIES	X		
18	621827	COVER-LAMP BRACKET	X	X	X
NS	61629722	LAMP BRACKET ASSY	X	X	X
NS	632545	LAMP-DC LIGHT BULB	X	X	X
19	631359	GUIDE BLOCK ASSY-TOP/BLACK (SERIAL # 10414601 & ABOVE)	X	X	X
	631366	KIT-FLAPPER ASSY/GUIDE BLOCKS (SERIAL# 10414600 & BELOW)	X	X	X
20	628473	STRIKE PLATE-BLACK	X	X	X
21	624366	FRONT BOX-DUMMY BOX (NON-DISPENSER MODELS ONLY)	X	X	X
NS	628460	PLATE-FOR DUMMY BOX (NON-DISPENSER MODELS ONLY)	X	X	X
	628454	CONTROL PANEL (DISPENSER MODELS ONLY)	X	X	X
22	618847	SHELF-WIRE/FREEZER/1200 SERIES	X	X	X
23	618849	SHELF-WIRE/SHORT/1200 SERIES	X	X	X
24	618848	SHELF-WIRE/LONG/1200 SERIES	X	X	X
25	618757	CRISPER COVER-GLASS SHELF	X	X	X
26	628688	BIN-BOTTLE/CRISPER	X	X	X
27	628694	DIVIDER-BOTTLE CRISPER	X	X	X
28	632608	SUPPORT WALL-FOR CRISPER BIN	X	X	X
29	625210	STRIP-FREEZER-BLACK	X	X	X
NS	61630422	ICE CUBE TRAY-PLASTIC (NON-ICE MAKER MODELS ONLY)	X	X	X

NS = NOT SHOWN

CABINET ASSEMBLY - REAR VIEW (COOLING UNIT AREA) - 1210 SERIES

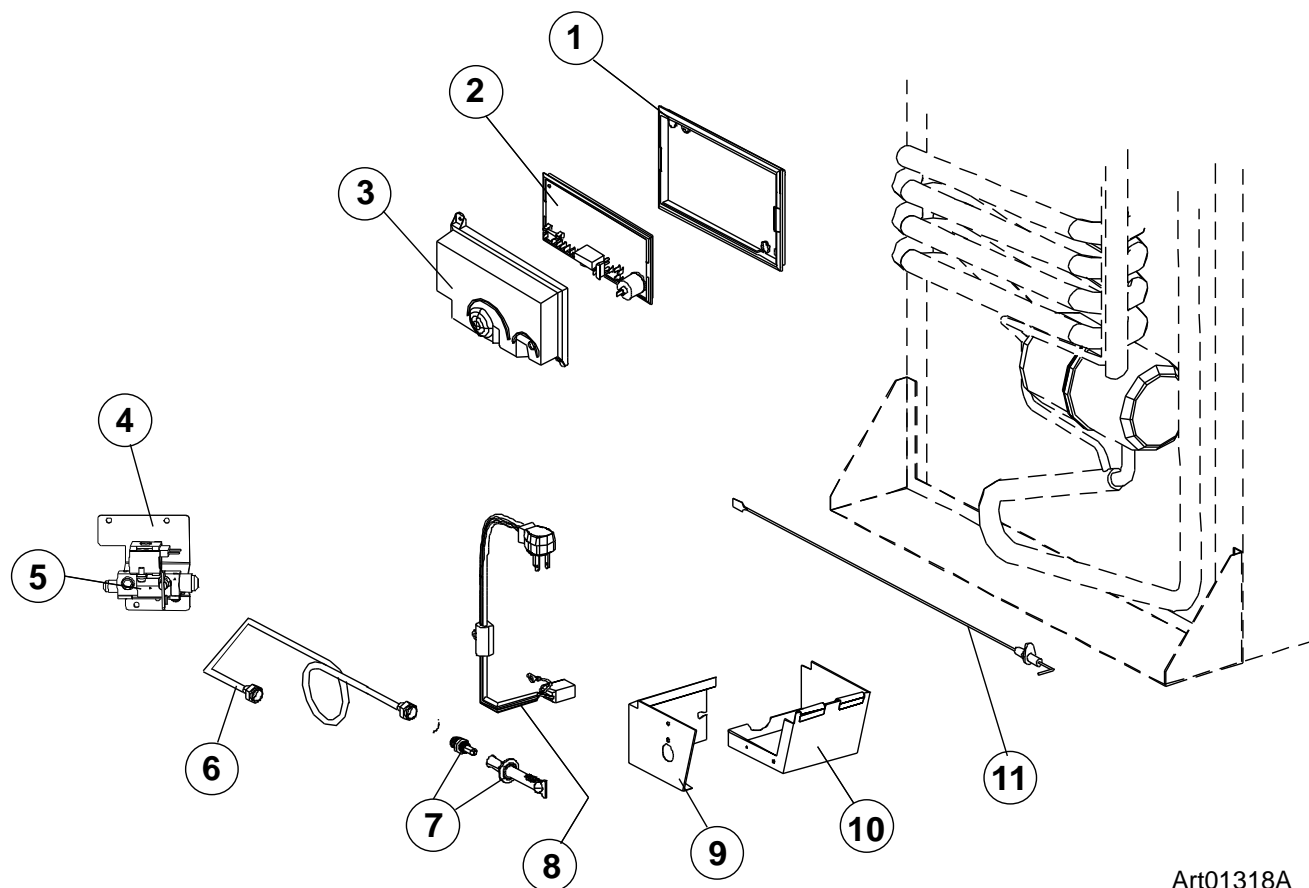


ART01171

NO.	PART #	DESCRIPTION	1210AC MODELS	1210 MODELS	1211 MODELS
1	632321	NSC SYSTEM PACK-COOLING UNIT/STEP (BACKER HEATER)	X	X	X
NS	630037	KIT-THERMAL SWITCH REPLACEMENT (SERIAL# 9767070 & BELOW)	X	X	X
NS	630103	KIT-THERMAL SWITCH REPLACEMENT (SERIAL# 9767071 & ABOVE)	X	X	X
2	618785	FINS-EVAPORATOR	X	X	X
3	629099	CAP-HEAT DEFLECTOR	X	X	X
4	618872	HEATER-AC (2 PER SYSTEM)(COOLING UNIT SERIAL# 11231145 & BELOW)	X	X	X
	630807	HEATER-AC/BACKER (2 PER SYSTEM)(COOLING UNIT SERIAL# 11231146 & ABOVE)	X	X	X
5	618902	BASE-BURNER BOX	X	X	X
6	618910	COVER ASSY-BURNER BOX	X	X	X
7	622546	DRIP CUP-REAR/PLASTIC	X	X	X
8	622392	DRAIN HOSE ASSY	X	X	X
9	628747	BRACKET-DC FAN (2 PER SYSTEM)(SERIAL # 9144576 & ABOVE)	X	X	X
NS	628011	SPACER-NYLON	X	X	X
10	628685	FAN-EXTERNAL DC (2 PER SYSTEM)(914576 & ABOVE)	X	X	X
12	618093	THERMOSTAT-DC FAN/THERMO DISC	X	X	X
NS	618915	BAFFLE DIFFUSER/WIRE ASSY-COOLING UNIT/55.15" (NOT SHOWN)	X	X	X

NS = NOT SHOWN

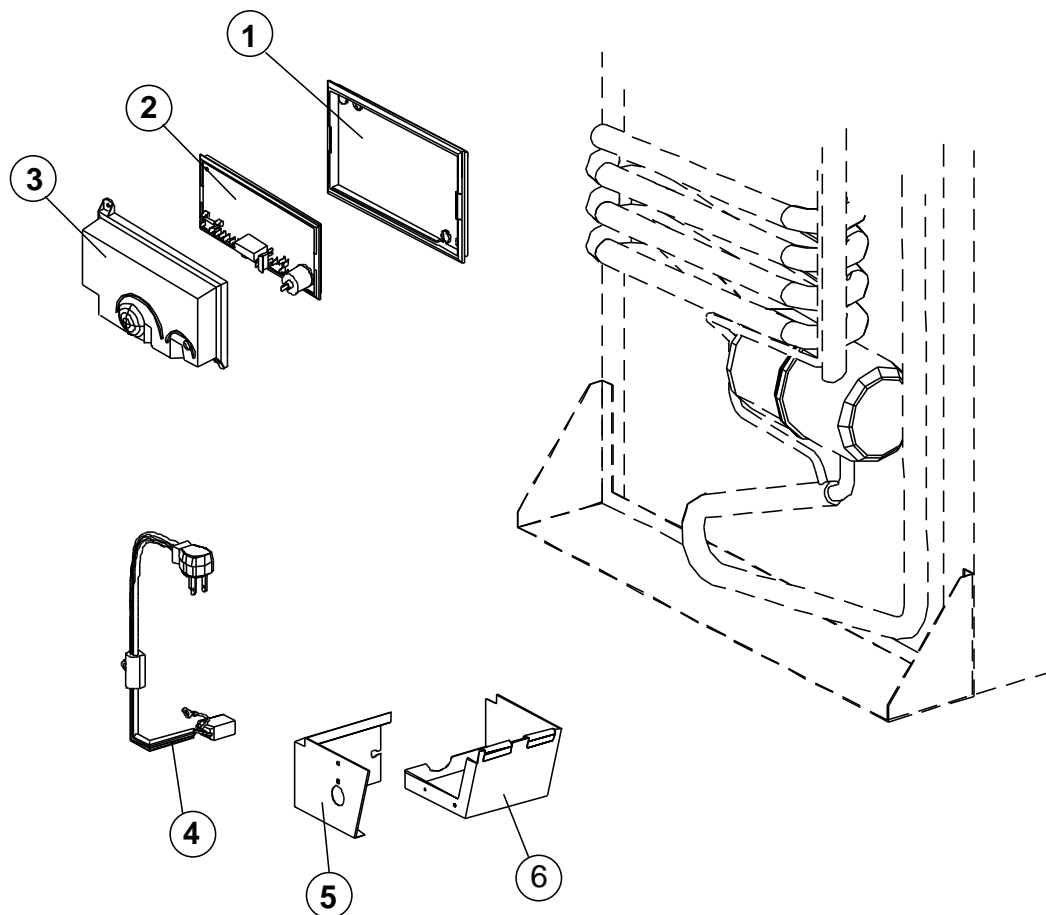
CABINET - REAR VIEW CONTROLS - 1210 SERIES (G/E)



Art01318A

NO.	PART #	DESCRIPTION	1210 MODELS	1210IM MODELS	1211 MODELS	1211IM MODELS
1	628674	BASE-POWER BOARD	X	X	X	X
2	628661	POWER BOARD	X	X	X	X
3	628677	COVER-POWER BOARD	X	X	X	X
4	628993	BRACKET-GAS VALVE	X	X	X	X
5	628741	GAS VALVE	X	X	X	X
6	624683	BURNER TUBE-1200 SERIES	X	X	X	X
7	629013	KIT-BURNER ORIFICE ADAPTER ASSY (ORIFICE REPLACEMENT)	X	X	X	X
8	61554422	CORD-AC POWER	X	X	X	
	621755	CORD-POWER/WHITE (ICE MAKER MODELS ONLY)		X		
	618406	CORD-AC POWER/ICE MAKER				X
9	618910	COVER ASSY-BURNER BOX	X	X	X	X
10	618902	BASE-BURNER BOX	X	X	X	X
11	61692222	ELECTRODE-SPARK/SENSE/SINGLE ELECTRODE/0.25"	X	X	X	X

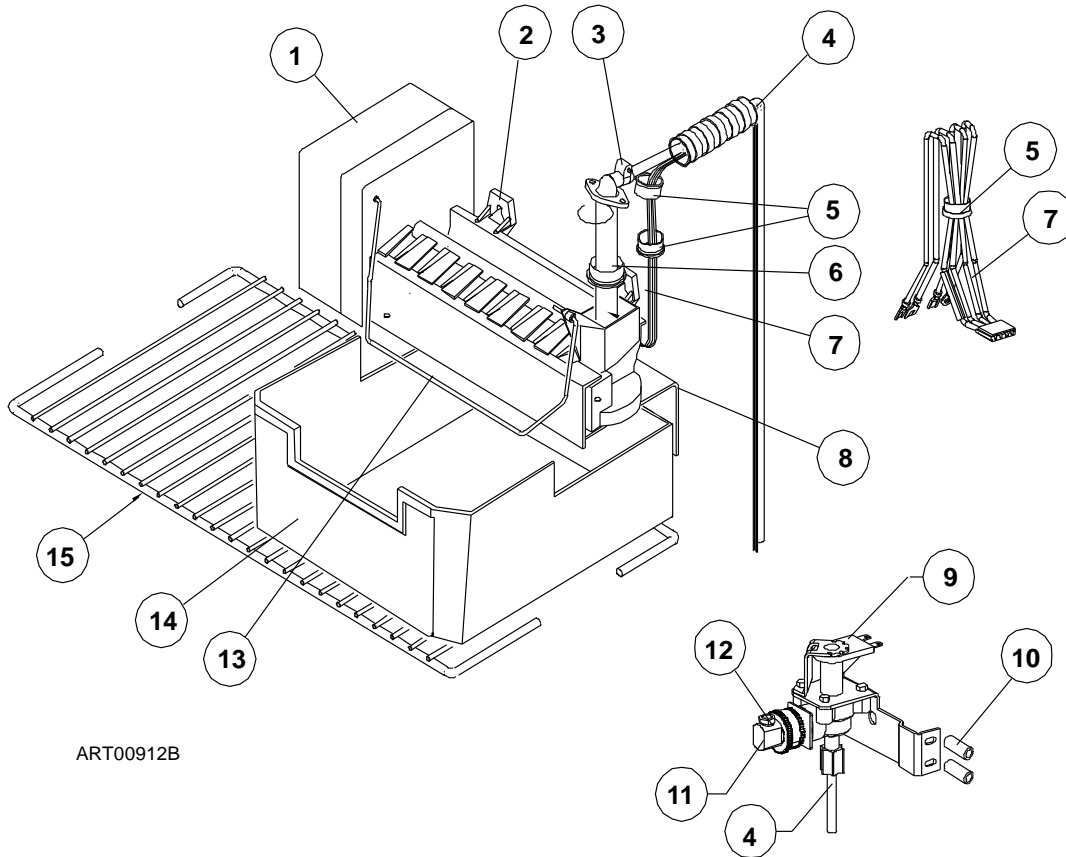
CABINET - REAR VIEW CONTROLS 1210AC SERIES (ALL ELECTRIC MODELS)



Art01318B

NO.	PART #	DESCRIPTION	1210AC MODELS	1210ACIM MODELS
1	628674	BASE-POWER BOARD	X	X
2	628661	POWER BOARD (SERIAL # 9098172 & ABOVE)	X	X
3	628677	COVER-POWER BOARD (SERIAL # 9098172 & ABOVE)	X	X
4	61554422	CORD-AC POWER	X	X
	621755	CORD-POWER/ICE MAKER/WHITE		X
5	618910	COVER ASSY-BURNER BOX	X	X
6	618902	BASE-BURNER BOX	X	X

ICE MAKER AND RELATED COMPONENTS - 1210 SERIES - NON-DISPENSER MODELS

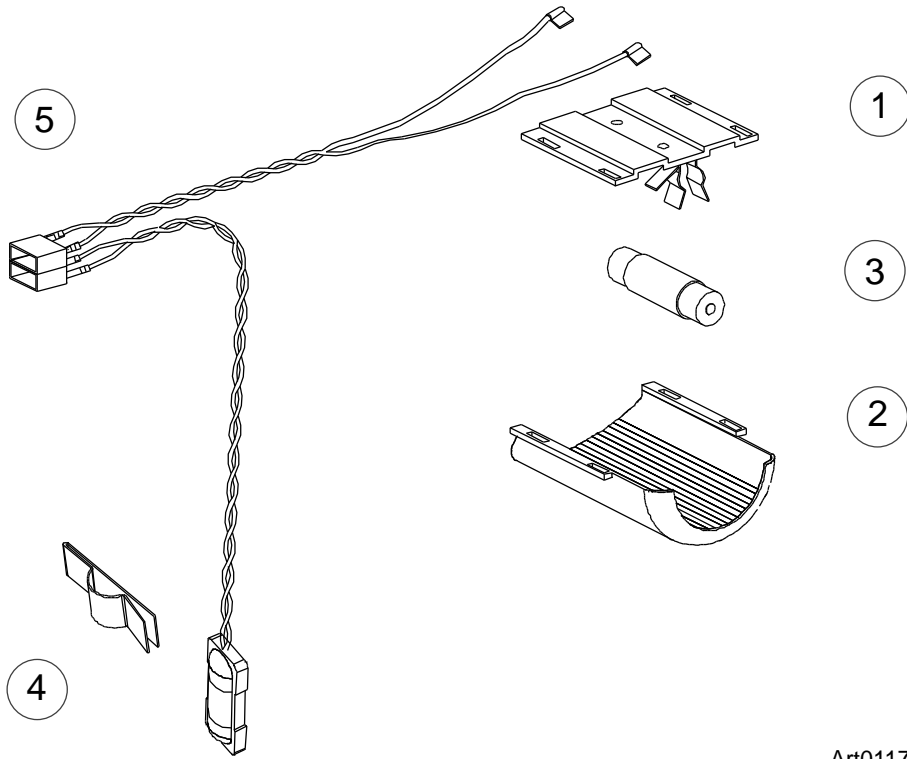


ART00912B

NO.	PART #	DESCRIPTION	1210AC MODELS	1210 MODELS	1211 MODELS
1	61656822	COVER-FRONT/ICE MAKER	X	X	X
2	633324	KIT-ICE MAKER	X	X	X
3	61690822	CLAMP-HOSE/TUBING/IM	X	X	X
	622991	NUT-COMPRESSION/PLASTIC	X	X	X
4	621429	WATER TUBE/HEATER ASSY/FOR ICE MAKER (MODELS WITHOUT DISPENSER)	X	X	X
	625879	WATER TUBE/HEATER ASSY/FOR ICE MAKER (MODELS WITH DISPENSER)	X	X	X
5	61541422	BUSHING-SNAP	X	X	X
6	620039	FITTING-WATER TUBE/IM/4.17"	X	X	X
7	618407	WIRING HARNESS-IM	X	X	X
8	620890	BRACKET-IM MOUNTING	X	X	X
9	633325	KIT-WATER VALVE-SINGLE PORT	X	X	X
	624516	WATER VALVE-DUAL PORT/DISPENSER	X	X	X
10	618169	SPACER-WATER VALVE/NYLON (2 PER ASSEMBLY)	X	X	X
11	61679622	GARDEN HOSE ADAPTER-STRAIGHT/IM	X	X	X
12	622991	NUT-COMPRESSION/WATER VALVE FITTING/IM/PLASTIC	X	X	X
	622846	NUT-BRASS/GARDEN HOSE ADAPTER	X	X	X
	625880	NUT-COMPRESSION 5/16"/DISPENSER MODELS	X	X	X
13	61656922	SHUT OFF ARM/IM	X	X	X
14	618803	BIN-ICE	X	X	X
15	618847	SHELF-WIRE/FREEZER	X	X	X
NS	620240	THERMOSTAT-IM HEATER ASSY	X	X	X

NS = NOT SHOWN

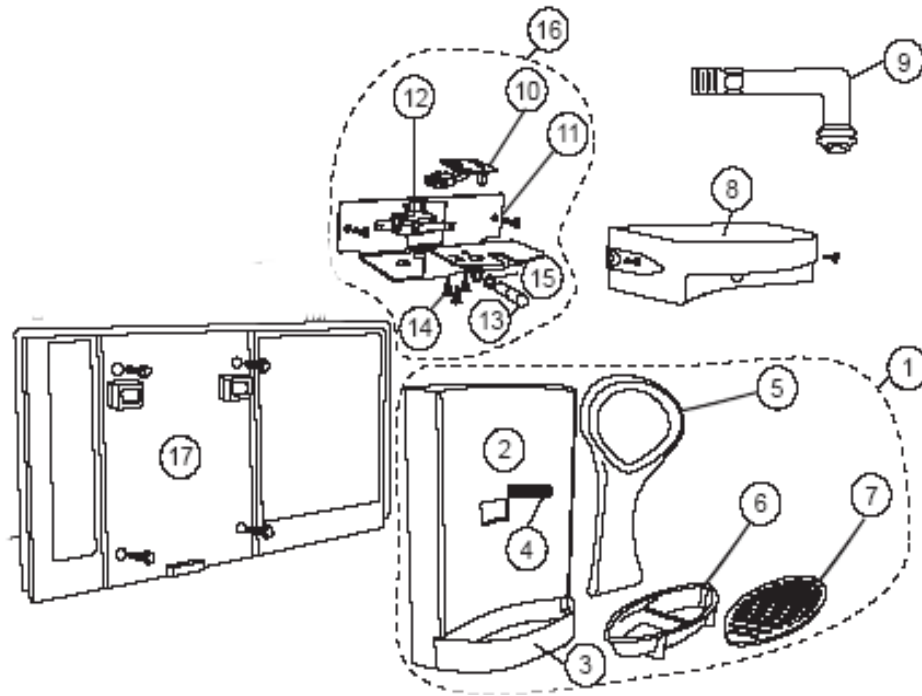
INTERIOR LIGHT/THERMISTER ASSEMBLY - 1210 SERIES



Art01178

NO.	PART #	DESCRIPTION	1210AC MODELS	1210 MODELS	1211 MODELS
1	61629722	LAMP BRACKET ASSY	X	X	X
2	621827	COVER-LAMP BRACKET	X	X	X
3	632545	LAMP-GE #214-2/DC LIGHT BULB	X	X	X
4	633734	CLIP-THERMISTER MOUNTING/FIN	X	X	X
5	620871	LAMP/THERMISTER WIRE ASSY	X	X	X

WATER DISPENSER - 1210 SERIES - FRONT VIEW



NO.	PART #	DESCRIPTION	1210AC MODELS	1210 MODELS	1211 MODELS
1	629528	BACKSPLASH ASSY	X	X	X
2	627570	BACKSPLASH/CLIP ASSY	X	X	X
3	625366	DRIP TRAY	X	X	X
4	618182	SPRING-COMPRESSION	X	X	X
5	624391	PADDLE	X	X	X
6	625385	DRIP CUP	X	X	X
7	625241	DRAIN GRID	X	X	X
8	628454	CONTROL PANEL-HOUSING	X	X	X
9	626820	SPIGOT	X	X	X
10	627143	BOARD-LED	X	X	X
11	628476	BRACKET-SWITCH	X	X	X
12	624574	SWITCH	X	X	X
13	624392	PLUNGER-SWITCH	X	X	X
14	625006	FASTENER-LED BOARD	X	X	X
15	624573	RING-RETAINING	X	X	X
16	629526	SWITCH/BRACKET ASSY	X	X	X
17	624390	TRIM PANEL	X	X	X

WATER DISPENSER PARTS LISTING - LISTED ALPHABETICALLY BY DESCRIPTION

PART #	DESCRIPTION	1210AC MODELS	1210 MODELS	1211 MODELS
629528	BACKSPLASH ASSY-DISPENSER	X	X	X
627570	BACKSPLASH/CLIP ASSY	X	X	X
627143	BOARD-LED/DISPENSER	X	X	X
628476	BRACKET-SWITCH/DISPENSER/1210 SERIES	X	X	X
624503	BRACKET-WATER VALVE/DISPENSER	X	X	X
625881	CONNECTOR-5/16" UNION/DISPENSER	X	X	X
625528	CONNECTOR-UNION/DISPENSER	X	X	X
628454	CONTROL PANEL-HOUSING/DISPENSER/1210 SERIES	X	X	X
625886	COVER ASSY-RESERVOIR/WITH VELCRO/CABINET/DISPENSER	X	X	X
629146	DOOR LINER ASSY-LOWER/LH/PANEL/DISPENSER	X	X	X
629148	DOOR LINER ASSY-LOWER/LH/WRAP/BLACK/DISPENSER	X	X	X
630098	DOOR LINER ASSY-LOWER/LH/WRAP/SS/DISPENSER (VALSPAR)	X	X	X
625241	DRAIN GRID-DISPENSER	X	X	X
625385	DRIP CUP-DISPENSER	X	X	X
625366	DRIP TRAY-DISPENSER	X	X	X
625006	FASTENER-LED BOARD/DISPENSER	X	X	X
626803	HEATER-WATER LINE-DISPENSER	X	X	X
626804	HEATER-WATER VALVE/DISPENSER	X	X	X
626802	JUMPER-WIRE HARNESS/DISPENSER	X	X	X
625882	KIT-IM TUBE FITTINGS/DISPENSER	X	X	X
625880	NUT-COMPRESSION 5/16"/DISPENSER	X	X	X
624391	PADDLE-DISPENSER	X	X	X
624392	PLUNGER-SWITCH/DISPENSER	X	X	X
624502	WATER RESERVOIR-DISPENSER	X	X	X
624573	RING-RETAINING/DISPENSER	X	X	X
626820	SPIGOT-WATER DISPENSER	X	X	X
618182	SPRING-COMPRESSION/DISPENSER	X	X	X
629526	SWITCH/BRACKET ASSY-DISPENSER	X	X	X
624574	SWITCH-DISPENSER	X	X	X
624390	TRIM PANEL-DISPENSER	X	X	X
625879	WATER TUBE/HEATER ASSY/FOR ICE MAKER/DISPENSER	X	X	X
625856	WATER VALVE/HEATER ASSY-DISPENSER	X	X	X
624516	WATER VALVE-DUAL PORT/DISPENSER	X	X	X

NOTE: PARTS SPECIFIC THE THE WATER DISPENSER MODELS.