



The Sign of Comfort

USA

SERVICE OFFICE
Dometic Corp.
509 So. Poplar St.
LaGrange, IN 46761
(260) 463-4858

CANADA

Dometic Dist.
866 Langs Dr.
Cambridge, Ontario
CANADA N3H 2N7
(519) 653-4390

**For Service Center
Assistance Call:**
800-544-4881

**POWER VENTILATOR ASSEMBLY
PART NO. 3108705.751
For Single Door Absorption Refrigerators**

PATENT NO. 5355693

INSTRUCTIONS

**Power
Ventilator Asm.
3108705.751**

REVISION

Form No. 3107648.052 9/03
(Replaces 3107648.044)
(French 3109736.029)
©2003 Dometic Corporation
LaGrange, IN 46761

SAFETY INSTRUCTIONS

This manual has safety information and instructions to help users eliminate or reduce the risk of accidents and injuries.

RECOGNIZE SAFETY INFORMATION



This is the safety-alert symbol. When you see this symbol in this manual, be alert to the potential for personal injury.

Follow recommended precautions and safe operating instructions.

UNDERSTAND SIGNAL WORDS

A signal word, **WARNING** OR **CAUTION** is used with the safety-alert symbol. They give the level of risk for potential injury.

! WARNING indicates a potentially hazardous situation which, if not avoided, could result in death or serious injury.

! CAUTION indicates a potentially hazardous situation which, if not avoided may result in minor or moderate injury.

CAUTION used without the safety alert symbol indicates, a potentially hazardous situation which, if not avoided may result in property damage.

Read and follow all safety information and instructions.

! WARNING

These instructions must be read and understood before installation of this kit. This kit must be installed by a Dometic Service Center or a qualified service technician. Modification of this product can be extremely hazardous and could result in personal injury or property damage.

PURPOSE

This Power Ventilator Assembly is for use with Dometic's single door refrigerators in applications where existing minimum vent heights are reduced. Its purpose is to assist required air movement across the refrigerator condenser to ensure optimum performance.

The Rocker Switch Assembly allows the customer to turn off power to the ventilator fan when the vehicle is not in use. This switch prevents the ventilator fan from coming on during high ambient temperatures and discharging the vehicle's battery.

GENERAL INSTRUCTIONS

These instructions are supplemental to the refrigerator installation instructions.

Important:

- ▲ **The Power Ventilator Assembly must be used with certified upper and lower side vents.**
- ▲ **Install refrigerator in accordance with the installation instructions supplied with the refrigerator.**
- ▲ **Follow the N.E.C., state and local code requirements referenced in the product installation instructions.**
- ▲ **Comply with the compartment sealing instructions indicated in the instructions packet.**

Select from the two options which meets your specific application. Follow Power Ventilator Assembly instructions for that specific application.

OPTION 1: Upper Side Vent (Metal)
Lower Side Vent (Metal or Plastic)

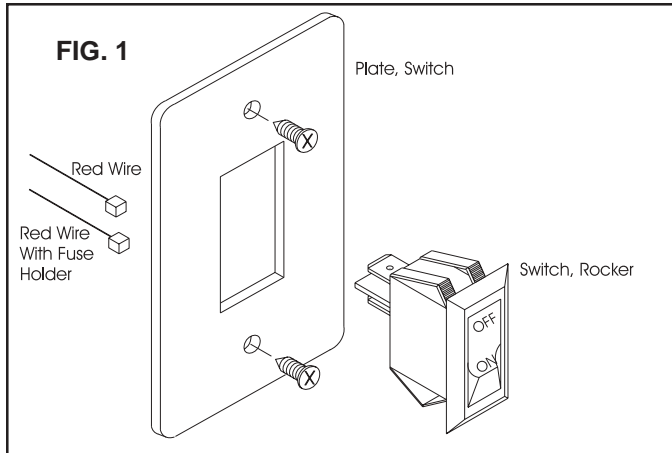
OPTION 2: Upper and Lower Side Vents (Plastic)

THIS ASSEMBLY CONTAINS:

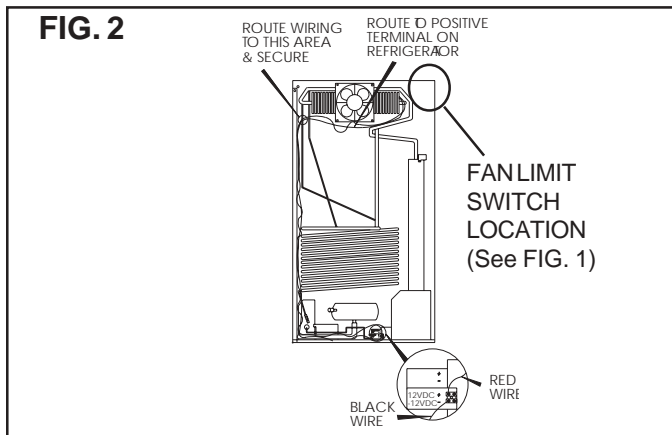
(Qty)	(Part No.)	(Description)
(1)	3107930.004	Ventilator fan, 12VDC
(1)	3104723.006	Fan Limit Switch, 12VDC
(1)	3107315.008	Rocker Switch Asm.
(1)	3107898.003	Panel, Switch
(1)	303937.856	Wire Assembly, Red
(2)	312096.001	Screws, #10 x 3/8
(1)	3105432.003	Mounting Bracket, RH
(1)	3105432.011	Mounting Bracket, LH
(1)	315503.005	Fuse Holder and Fuse (1 amp)
(2)	3108710.033	Screws, #8 X 2.0"
(2)	3108706.858	Screw, #8X3/8" Drill Point
(1)	3107648.052	Installation Instructions
(1)	3105433.019	Wiring Diagram Decal

ROCKER SWITCH INSTALLATION

1. Locate the rocker switch in an accessible area.
Note: A recommended location is beside the refrigerator in the upper left corner.
2. Cut a rectangular opening to house the body of the rocker switch. See FIG. 1.



3. Insert rocker switch into opening of switch panel. Push switch toward panel to secure.
4. Attach red wire assembly to one terminal of the rocker switch.
5. Attach the red wire with fuse holder to the remaining terminal of rocker switch.
6. Using two #6 x .38 screws (not provided), secure switch panel to wall
7. Extend both wires to the bottom rear of the refrigerator. See FIG. 2.



OPTION 1: Upper Side Vent (Metal) Lower Side Vent (Metal or Plastic)

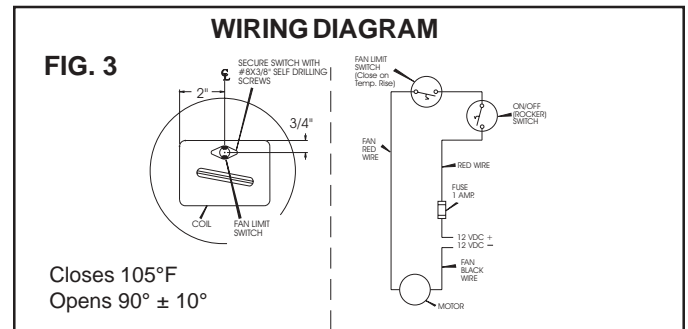
Important: Power Ventilator Assembly must be used with certified upper and lower side vents and the refrigerator must be installed as directed by the installation instructions supplied with the refrigerator.

POWER VENTILATOR INSTALLATION

⚠ WARNING

Disconnect 115 volt AC and 12 volt DC. Failure to follow these instructions could create a shock hazard causing death or severe personal injury.

Note: Install fan limit switch prior to refrigerator installation. See FIG. 3.

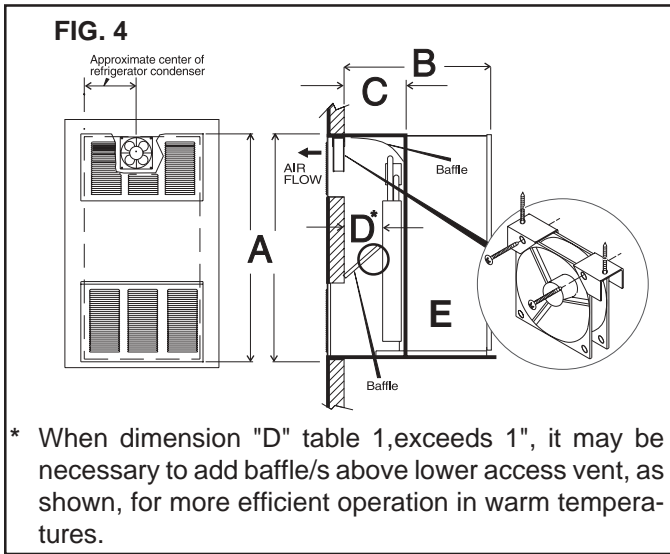


1. Use the (2) #8X3/8" self drilling screws (supplied) to install fan limit switch to refrigerator.
2. Install refrigerator according to installation instructions supplied with the refrigerator.
3. Install baffle the width of refrigerator cavity. See Table 1 and FIG. 4.

TABLE 1
(Dimensions in Inches)

Model No.	Min. Dim. A	Min. Dim. B	Max. Dim. C	Min. Dim. D *	Max. Dim. E
RM2193	20	20-7/8	4	1	1
RM2202	20	18	4	1	1
RM4223	20	24-1/2	4-1/2	0	1
RM2310	28	21-3/8	4	1	1
RM2352	34	21-3/8	4	1	1
RM2353	64	21-3/8	4	1	1
RM2410	33	24	4	0	1
RM2452	36	24	4-1/2	0	1
RM2453	36	24	4-1/2	0	1
RM2510	37	24	4	0	1
RM2551	42	24	4-1/2	0	1
RM2554	42	24	4-1/2	0	1

Note: Completion of the wiring to Power Ventilator Assembly installation will be made through the rear access panel. See FIG. 2.



4. Install mounting brackets to ventilator fan per FIG. 4, with #8 x 2" screws provided.
5. Install fan in upper vent as shown in FIG. 4.
Note: Ensure that air flow is pointing outward. Fan should be located so face is near outside wall structure.
6. Remove fuse in fuse holder and store in safe location for later installation.
7. Connect the short red wire (fuse holder base) to the refrigerator terminal block labeled 12V DC+ (positive).
Note: Do not install fuse at this time.
8. Connect the other red wire from the rocker switch to the fan limit switch.
9. Route the red wire of the ventilator fan and connect to the remaining terminal at the fan limit switch.
10. Route the black wire of the ventilator fan and connect to the refrigerator terminal block labeled 12V DC- (negative).
11. Ensure all wiring is secure and will not contact sharp edges and hot surfaces.
12. Install fuse within fuse holder.
13. Attach wiring diagram from kit beside existing wiring schematic.
14. Your Power Ventilator will be energized by the fan limit switch when the temperature elevates above 100° ambient. This system will operate automatically with the fluctuation of the condenser temperatures.

OPTION 2: Upper and Lower Side Vents (Plastic)

Important: Power Ventilator Assembly must be used with certified upper and lower side vents and the refrigerator must be installed as directed by the installation instructions supplied with the refrigerator.

ROCKER SWITCH INSTALLATION

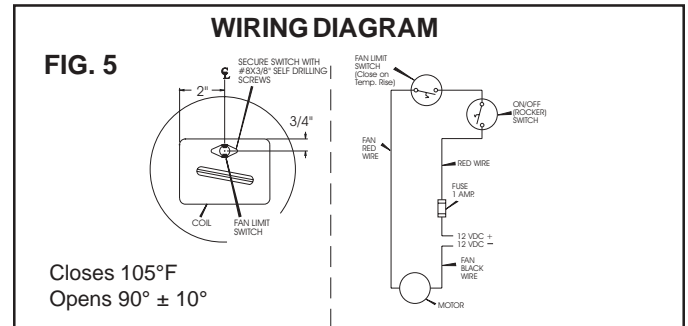
Note: Follow switch assembly installation instructions on page 3.

POWER VENTILATOR INSTALLATION

⚠ WARNING

Disconnect 115 volt AC and 12 volt DC. Failure to follow these instructions could create a shock hazard causing death or severe personal injury.

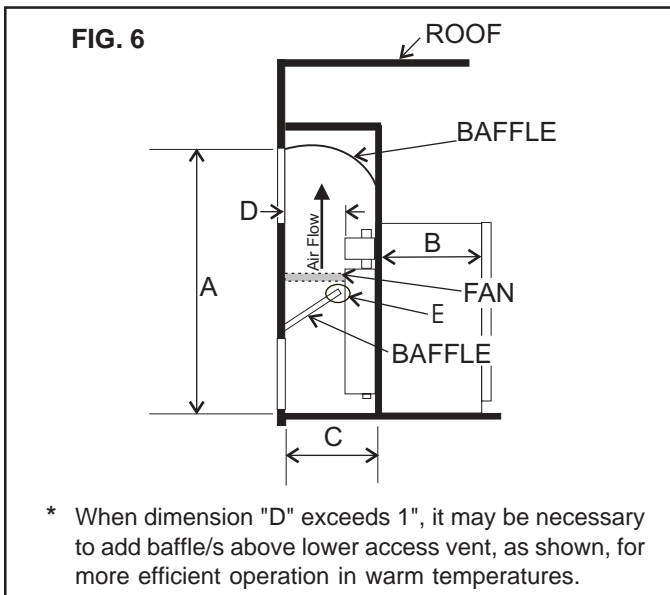
Note: Install fan limit switch prior to refrigerator installation. See FIG. 5.



1. Use the (2) #8X3/8" self drilling screws (supplied) to install fan limit switch to refrigerator.
2. Install refrigerator according to installation instructions supplied with the refrigerator.
3. Install baffle the width of refrigerator cavity. See Table 2 and FIG. 6.

TABLE 2
(Dimensions in Inches)

Model No.	Min. Dim. A	Min. Dim. B	Min. Dim. C	Max. Dim. C	Max. Dim. D*	Max. Dim. E
RM2352	34	21-3/8	4	4	3-1/2	1
RM2353	34	21-3/8	4	4	1	1
RM2452	36	24-5/8	5-1/8	8	3-1/2	1
RM2453	36	24-5/8	5-1/8	8	3-1/2	1
RM2551	42	24-5/8	5-1/8	8	3-1/2	1
RM2554	42	24-5/8	5-1/8	8	3-1/2	1



4. Install mounting brackets to ventilator fan per FIG. 6, with #8 x 2" screws provided.
5. Install fan as shown in FIG. 6.
(Note: Ensure that air flow arrow is pointing upward. Screws mount through fan into sidewall. Adequate support must be provided in this area.)
6. Remove fuse in fuse holder and store in safe location for later installation.
7. Connect the short red wire (fuse holder base) to the refrigerator terminal block labeled 12VDC+ (Positive).
Note: Do not install fuse at this time.
8. Connect the other red wire from the switch assembly to the fan limit switch.
9. Route the red wire of the ventilator fan and connect to the remaining terminal at the fan limit switch.
10. Route the black wire of the ventilator fan and connect to the refrigerator terminal block labeled 12V DC- (negative).
11. Ensure all wiring is secure and will not contact sharp edges and hot surfaces.
12. Install fuse within fuse holder.
13. Attach wiring diagram from kit beside existing wiring schematic.
14. Your Power Ventilator is now functional and will be energized by the fan limit switch when the temperature elevates above 100° ambient. This system will operate automatically with the fluctuation of the condenser temperatures.